

e-power generators

Table of contents

e-power inverter generators	
e-power e-efficient silenced INVERTER generators with e-power air-cooled gasoline engine, 50Hz.....	1
Honda	
Honda super-silenced INVERTER generators with air-cooled gasoline engine, 50Hz.....	1
Honda frame generators with air-cooled gasoline engine, 50Hz.....	1
Options for HONDA generators.....	1a
Honda water pumps with air-cooled gasoline engine.....	1b
e-power generators standard, air-cooled with gasoline engine	
with Honda and B&S gasoline engine, 3000rpm, 50Hz.....	2
EN1 and EN2 with Honda gasoline engine, 3000rpm, 50Hz.....	2a
e-power generators semi-silenced, air-cooled	
"long run" with Honda gasoline engine, 3000rpm, 50Hz.....	3
e-power generators standard, air-cooled with diesel engine	
with Hatz, Yanmar and Kohler diesel engine, 3000rpm, 50Hz.....	4
e-power generators super-silenced	
with air-cooled engine, 3000rpm, 50Hz.....	5
e-power generators, water-cooled up to 50kVA	
open with Kubota diesel engine, 3000 or 1500rpm, 50Hz.....	6
super-silenced with Kubota diesel engine, 3000rpm, 50Hz.....	7
super-silenced with Kubota diesel engine, 1500rpm, 50Hz.....	8
rental silenced with Kubota diesel engine, 3000rpm, 50Hz.....	8
rental silenced with Kubota diesel engine, 1500rpm, 50Hz.....	8
rental ultra-silenced with Kubota diesel engine, 1500rpm, 50Hz.....	8
rental from 27 up to 50kVA with diesel engine, Stage V, 1500rpm, 50Hz.....	11
e-power generators, water-cooled from 60kVA	
open from 60 up to 250kVA with Iveco diesel engine, 1500rpm, 50Hz.....	9
open from 315 up to 600kVA with Volvo diesel engine, Stage II, 1500rpm, 50Hz.....	9
silenced from 60 up to 250kVA with Iveco diesel engine, 1500rpm, 50Hz.....	10
silenced from 315 up to 600kVA with Volvo diesel engine, Stage II, 1500rpm, 50Hz.....	10
rental from 60 up to 250kVA with diesel engine, Stage V, 1500rpm, 50Hz.....	11
e-power welders	
welders with gasoline and diesel engine, 3000rpm, 50Hz.....	12
standard and EN1 welders with Honda air-cooled gasoline engine, 3000rpm, 50Hz.....	12a
Options	
for air-cooled generators 3000rpm.....	13
for generators with water-cooled Kubota engine.....	14
for EP open generators with water-cooled Iveco / Volvo engine.....	15
for EPS silenced generators with water-cooled Iveco / Volvo engine.....	16
for EPSR silenced rental generators with water-cooled Iveco / John Deere / Volvo engine.....	17
Specials	
e-power generators with asynchronous Soga or synchronous Soga/GTS alternator, IP54 protection, 3000rpm, 50Hz.....	18
e-power 60Hz generators, 3600rpm.....	18
e-power generators according to "BG BAU" and "DGUV - Class B", with synchronous SOGA or GTS alternator, protection IP54, with insulation protection according to DIN EN 60034-21.....	19
e-power generators according to DIN14685 with synchronous brushless alternator, AVR, IP54, 3000rpm, 50Hz.....	20
P.T.O. three-phase tractor alternators IP23.....	21
P.T.O. three-phase tractor alternators IP44.....	22
Bunded Fuel Tanks - IBC's, with Vlareem/KIWA/UN/ADR/RID/IMDG approval.....	23
Legend	24

e-power e-efficient silenced INVERTER generating sets with e-power air-cooled gasoline engines, 50Hz, 4 stroke

Article code	TYPE	Price in EURO (ex. VAT)	kVA max.	kVA cont.	Amp.		Engine power (EU Stage)	HP max.	kW max.	cm³	Tank (l)	Cons. @75% load (l/h)	Autonomy @75% load (h)	Version	Dimensions (cm)	kg	dB(A) @ 7m	LWA
					1 ~ 230V	12V DC												
960000250	EPSi2500	855	2,4	2,1	9,1	-	LH148F-G (V)	3,5	2,6	79	5	1	5	A-AVR-FG-h-O-P-R-TM-USB2-V-W	52x32x45	20	59	84
960000450	EPSi4500E	1495	4,5	3,7	16	8	LH170F (V)	6,6	4,9	212	7	1,7	4,1	A-AC-AVR-DC12-E-FG-h-Hz-O-P-R-RS-TM-USB2-V	58x46x49	38	60	85

Version Both types have automatic engine speed regulation dependent on the charge, a dual 5V / 2A USB-A connector, protection against overcharge and short circuit, oil guard and recoil starter. Moreover, the EPSi4500E has a wireless remote start with automatic choke.

Honda super-silenced INVERTER generating sets with air-cooled gasoline engine, 50Hz, 4 stroke

Article code	TYPE	Price in EURO (ex. VAT)	kVA max.	kVA cont.	Amp.		Engine HONDA (EU Stage)	HP max.	kW max.	cm³	Tank (l)	Cons. @75% load (l/h)	Autonomy @75% load (h)	Version	Dimensions (cm)	kg	dB(A) @ 7m	LWA
					1 ~ 230V	12V DC												
999000601	EU10i	983	1	0.9	3.9	8.3	GXH50 (V)	2.2	1.6	49	2.1	0.6	3.5	A0-AVR-DC12-O-P-R-TM	45x24x38	13	62	87
999000622	EU22i	1487	2.2	1.8	7.8	8.3	GXR120 (V)	3.1	2.3	121	3.6	0.9	4	A-AVR-DC12-O-P-R-TM	52x29x43	21	65	90
999000605	EU30is	2809	3	2.8	12.2	11.7	GX200 (V)	5.6	4.1	196	13.3	1.4	9.5	A-AVR-DC12-E-FG-O-R-TM	67x48x57	61	66	91
999000630	EU32i	2859	3.2	2.6	11.3	-	GX130 (V)	TBD	TBD	130	4.7	0.9	5.2	A-AVR-FG-O-P-R-TM	58x31x46	27	66	91
999000619	EU70is	4826	7	5.5	24	-	GX390 (V)	11.1	8.2	389	19.2	2.5	7.7	A9-AC-AVR-E-FG-h-O-R-TM	85x70x73	119	66	91

Version All types have a 12V DC plug (except EU70is), thermal protection against overcharge, oil guard and recoil starter. The EU10i has 1 socket 230V - 16A, the EU22i, EU30is and EU32i have 2 sockets 230V - 16A. The EU70is has 2 sockets 230V - 16A + 1 CEE socket 230V - 16A. Moreover, the EU10i, EU22i, EU30is, EU32i and EU70is have an automatic engine speed regulation dependent on the charge. Parallel operation is possible for the EU10i, EU22i, EU30is, EU32i and EU70is with an optional parallel cable. The EU30is has 4 wheels and a handle. The EU70is has a folding handle and 2 wheels.

Honda frame generating sets with air-cooled gasoline engine, 50Hz, 4 stroke

Article code	TYPE	Price in EURO (ex. VAT)	kVA max.	kVA cont.	Amp.		Engine HONDA (EU Stage)	HP max.	kW max.	cm³	Tank (l)	Cons. @75% load (l/h)	Autonomy @75% load (h)	Version	Dimensions (cm)	kg	dB(A) @ 7m	LWA
					1 ~ 230V	12V DC												
999000618	EG3600	1421	3.6	3.2	13.9	-	GX270 (V)	7.9	5.8	270	24	2	12	A-AVR-F-FG-O-R	68x53x57	68	71	96
999000615	EG4500	1611	4.5	4	17	-	GX390 (V)	11.1	8.2	389	24	2.5	9.6	A-AVR-F-FG-O-R	68x53x57	80	72	97
999000616	EG5500	1801	5.5	5	22	-	GX390 (V)	11.1	8.2	389	24	2.5	9.6	A-AVR-F-FG-O-R	68x53x57	83	72	97
999000613	EM5500CXS	3057	5.5	5	22	-	IGX390 (V)	11.1	8.2	389	23.5	2.5	9.4	A8-AIS-AVR-E-F-FG-O-R	88x53x55	97	72	97

Version A8 = 2 sockets 230V - 16A + 1 socket CEE 230V - 16A + 1 socket CEE 230V - 32A

OPTIONS FOR HONDA GENERATING SETS			Price in EURO (ex. VAT)
Nr.	Description		
NEW	HEP0	Automatic Start/Stop System in case of mains failure (up to 9kVA 230V) for EU30is and EU70is, supplied in TN-S earthing system, including earth leakage protection and thermal magnetic protection, with 3 meter cable	1550
	HEP1	Automatic Start/Stop System via external contact for EU30is, with 3 meter cable, with electric choke	1190
	HEP1a	Automatic Start/Stop System via external contact for EU70is, with 3 meter cable	585
	HEP1b	Battery controller unit 12V (FLIP-FLOP), for EU30is and EU70is	880
	H2	Battery charge cable for EU10i, EU22i, EU30is, EM30	23
	H3	Hour counter (all models)	78
	HEP4	Insulation protection "IB-Protector" 230V	on request
	HEP4b	Insulation protection Bender IR423-D43-2 on EU30is	1210
	H5	Parallel cable for EU10i	39
	H6	Parallel cable for EU22i	265
	H7a	Parallel cable for EU30is	285
	H7b	Parallel cable for EU70is	1325
	H8	Remote start 10m for EM5500CXS	315
	H9	Remote start 30m for EM5500CXS	380
	H10	Remote start 10m for EU70is	450
H11	Remote start 30m for EU70is	575	
HEP12	Remote start wireless for EU70is	570	
H14	2-wheel kit for EG3600/EG4500/EG5500/EM5500	200	
H15	4-wheel kit for EG3600/EG4500/EG5500/EM5500	330	

Honda water pumps with air-cooled gasoline engine, 4 stroke

Article code	TYPE	Price in EURO (ex. VAT)	Max (l/min)	Inlet/ outlet diameter (inch)	Pressure (bar)	Total head (m)	Max. particle size (mm)	Suction head (m)	Engine HONDA (EU Stage)	HP max.	kW max.	cm³	Tank (l)	Cons. @ 75% load (l/h)	Auto-nomy @ 75% load (h)	Version	Dimensions (cm)	kg	LWA
926900025	WX10	454	140	1	3.6	36	5.7	8	GX25 (V)	1	0.7	25	0.47	0.36	1.3	Clean water pump	33x22x30	6.5	102
926900026	WX15	553	240	1.5	4	40	5.7	8	GXH50 (V)	2.2	1.6	49	1	0.67	1.5	Clean water pump	33x28x38	9	103
926900027	WB20XT	644	600	2	3.2	32	6	8	GX120 (V)	3.1	2.3	118	1.9	1	2	Clean water pump	46x37x42	21	101
926900029	WB30XT	793	1100	3	2.8	23	6	8	GX160 (V)	4.4	3.2	163	3.1	1.4	2.5	Clean water pump	51x39x46	27	106
926900028	WH20X	991	500	2	5	50	3	8	GX160 (V)	4.4	3.2	163	3.1	1.4	2.5	High pressure pump	52x40x45	27	106
926900030	WT20X	1536	710	2	3	30	24	8	GX160 (V)	4.4	3.2	163	3.1	1.4	2.5	Trash water pump	62x46x47	47	106
926900031	WT30X	1966	1210	3	2.7	27	28	8	GX240 (V)	7.5	5.5	242	5.3	2.5	2.1	Trash water pump	66x50x52	60	110
926900032	WT40X	2809	1640	4	2.6	26	31	8	GX340 (V)	10.5	7.7	337	6.1	3	2	Trash water pump	74x54x57	78	110

Version Engine speed WX10 and WX15 = 7000rpm, other types 3600rpm
All engines have an oil guard except for the GX25 (WX10)

e-power standard generating sets with air-cooled gasoline engines, 3000rpm, 50Hz, 4 stroke

2,2 - 23kVA

Article code	TYPE	Price in EURO (ex. VAT)	kVA max.	kVA cont.	Amp.		Engine (EU Stage)	HP max.	kW max.	cm ³	Tank (l)	Cons. @ 75% load (l/h)	Autonomy @ 75% load (h)	Version	Dimensions (cm)	kg	dB(A) @ 7m	LWA
		Alternator			1 - 230V	3 - 400V												
950000260	EP2500	785 (S)	2.2	2	8.7	-	Honda GX160 (V)	4.4	3.2	163	3.1	1	3.1	A-F-O-R-Th	58x42x44	37	70	95
950000261	EP2500E	1490 (S)	2.2	2	8.7	-	Honda GX160 (V)	4.4	3.2	163	3.1	1	3.1	A-E-F-O-R-Th	58x42x44	45	70	95
990000300	EP3300	885 (MA)	3	2.7	11.7	-	Honda GX200 (V)	5.2	3.8	196	3.1	1.3	2.4	A-F-O-R-Th	58x42x44	42	70	95
950000400	EP4100	1245 (S)	4	3.6	16	-	Honda GX270 (V)	7.9	5.8	270	5.3	2	2.7	A-F-O-R-Th	77x51x56	60	71	96
950000401	EP4100E	1865 (S)	4	3.6	16	-	Honda GX270 (V)	7.9	5.8	270	5.3	2	2.7	A-E-F-O-R-Th	77x51x56	72	71	96
950000502	EP5000T	1575 (S)	5	4.5	16	6.5	Honda GX270 (V)	7.9	5.8	270	5.3	2	2.7	B-F-O-R-Th	83x51x56	72	71	96
950000600	EP6000	1665 (S)	6	5.4	23	-	Honda GX390 (V)	11.1	8.2	389	6.1	2.4	2.5	A-F-O-R-Th	83x51x56	75	72	97
950000601	EP6000E	2140 (S)	6	5.4	23	-	Honda GX390 (V)	11.1	8.2	389	6.1	2.4	2.5	A-E-F-O-R-Th	83x51x56	87	72	97
950000652	EP6500T	1890 (S)	7	6.5	17	9.4	Honda GX390 (V)	11.1	8.2	389	6.1	2.4	2.5	B-F-O-R-Th	83x51x56	82	72	97
950000653	EP6500TE	2360 (S)	7	6.5	17	9.4	Honda GX390 (V)	11.1	8.2	389	6.1	2.4	2.5	B-E-F-O-R-Th	83x51x56	94	72	97
950000700	EP7000	1760 (S)	7	6	26	-	Honda GX390 (V)	11.1	8.2	389	6.1	2.7	2.3	A7-F-O-R-Th	83x51x56	85	76	*
990001001	EP10000E	3760 (MA)	10	9	39	-	Honda GX630 (V)	19	14	688	20	4.2	4.8	A2-E-F-FPm-h-O-TM	102x55x60	146	75	*
957001002	EP10000T	3475 (S)	10	9	14.3	13	B&S Vanguard 305442 (V)	14	10.5	480	6.5	3.5	1.9	B-F-FPm-OP-R-TM	83x55x60	95	75	*
950001201	EP12000E	4215 (S)	12	10.8	47	-	Honda GX690 (V)	20	15	688	20	5	4	A2-AIS-E-F-FPm-h-O-TM	102x55x60	150	75	*
950001203	EP13500TE	3785 (S)	13.5	12	20	17	Honda GX630 (V)	19	14	688	20	4.2	4.8	B-E-F-FPm-h-O-TM	102x55x60	149	75	*
950001401	EP14000E	4985 (S)	13.5	12	52	-	Honda iGX800 (V)	22	16	779	20	5.6	3.6	A2-AIS-E-Erpm-F-FPm-h-O-TM-TP	102x55x60	162	76	*
957001501	EP16000E	8160 (S)	16	14.5	63	-	B&S Vanguard 543477 (V)	28	21	895	41	7	5.9	A5-E-F-FG-FPm-h-LE-OP-TM-V	100x64x72	213	79	*
950001503	EP16000TE	4345 (S)	16	14.4	23	21	Honda GX690 (V)	20	15	688	20	5	4	B-AIS-E-F-FPm-h-O-TM	102x55x60	154	75	*
950001803	EP18000TE	5120 (S)	17.5	16	23	23	Honda iGX800 (V)	22	16	779	20	5.6	3.6	B19-AIS-E-Erpm-F-FPm-h-O-TM-TP	102x55x60	165	76	*
957002001	EP20000E	11515 (S)	20	18	78	-	B&S Vanguard EFI 37HP (V)	31	23	993	32	7.8	4.1	A5-AVR-DSE-E-F-FLM-FP-h-Hz-LE-LFLS-OP-TM-V	100x64x72	220	80	*
957001803	EP20000TE	8015 (S)	20	18	26	26	B&S Vanguard 543477 (V)	28	21	895	41	7	5.9	B4-E-F-FG-FPm-h-LE-OP-TM-V	100x64x72	213	79	*
957002503	EP25000TE	11610 (S)	23	21	32	30	B&S Vanguard EFI 37HP (V)	31	23	993	32	7.8	4.1	B4-AVR-DSE-E-F-FLM-FP-h-Hz-LE-LFLS-OP-TM-V	100x64x72	217	80	*

Generators with * cannot be used outdoors in the EU. For applications of generating sets indoors, or if you want to integrate these generators in vehicles, please contact us.

e-power standard, EN1 and EN2 generating sets with Honda air-cooled gasoline engine, 3000rpm, 50Hz, 4 stroke

2,2 - 7 kVA

Article code	TYPE	Price in EURO (ex. VAT)	kVA max.	kVA cont.	Amp.		Engine HONDA (EU Stage)	HP max.	kW max.	cm ³	Tank (l)	Cons. @ 75% load (l/h)	Auto-nomy @ 75% load (h)	Version	Dimensions (cm)	kg	dB(A) @ 7m	LWA
		Alternator			1 ~ 230V	3 ~ 400V												
950000260	EP2500	785 (S)	2.2	2	8.7	-	GX160 (V)	4.4	3.2	163	3.1	1	3.1	A-F-O-R-Th	58x42x44	37	70	95
SA0950260	EP2500-EN1	690 (S)	2.2	2	8.7	-	GX160 (V)	4.4	3.2	163	3.1	1	3.1	A-F-O-R-Th	58x42x44	39	73	*
990000300	EP3300	885 (MA)	3	2.7	11.7	-	GX200 (V)	5.2	3.8	196	3.1	1.3	2.4	A-F-O-R-Th	58x42x44	42	70	95
SA0990300	EP3300-EN1	825 (MA)	3	2.7	11.7	-	GX200 (V)	5.2	3.8	196	3.1	1.3	2.4	A-F-O-R-Th	58x42x44	42	73	*
950000400	EP4100	1245 (S)	4	3.6	16	-	GX270 (V)	7.9	5.8	270	5.3	2	2.7	A-F-O-R-Th	77x51x56	60	71	96
SA0950398	EP4100-EN1	1155 (S)	4	3.6	16	-	GX270 (V)	7.9	5.8	270	5.3	2	2.7	A-F-O-R-Th	77x51x56	60	74	*
950000502	EP5000T	1575 (S)	5	4.5	16	6.5	GX270 (V)	7.9	5.8	270	5.3	2	2.7	B-F-O-R-Th	83x51x56	72	71	96
SA0950492	EP5000T-EN1	1515 (S)	5	4.5	16	6.5	GX270 (V)	7.9	5.8	270	5.3	2	2.7	B-F-O-R-Th	83x51x56	72	74	*
950000600	EP6000	1665 (S)	6	5.4	23	-	GX390 (V)	11.1	8.2	389	6.1	2.4	2.5	A-F-O-R-Th	83x51x56	75	72	97
SA0950590	EP6000-EN1	1500 (S)	6	5.4	23	-	GX390 (V)	11.1	8.2	389	6.1	2.4	2.5	A-F-O-R-Th	83x51x56	75	75	*
950000601	EP6000E	2140 (S)	6	5.4	23	-	GX390 (V)	11.1	8.2	389	6.1	2.4	2.5	A-E-F-O-R-Th	83x51x56	87	72	97
SA0950601	EP6000E-EN2	1860 (S)	6	5.4	23	-	GX390 (NE)	11.1	8.2	389	6.1	2.4	2.5	A-E-F-O-R-Th	83x51x56	88	75	**
950000652	EP6500T	1890 (S)	7	6.5	17	9.4	GX390 (V)	11.1	8.2	389	6.1	2.4	2.5	B-F-O-R-Th	83x51x56	82	72	97
SA0950642	EP6500T-EN1	1720 (S)	7	6.5	17	9.4	GX390 (V)	11.1	8.2	389	6.1	2.4	2.5	B-F-O-R-Th	83x51x56	80	75	*
950000653	EP6500TE	2360 (S)	7	6.5	17	9.4	GX390 (V)	11.1	8.2	389	6.1	2.4	2.5	B-E-F-O-R-Th	83x51x56	94	72	97
SA0950653	EP6500TE-EN2	2085 (S)	7	6.5	17	9.4	GX390 (NE)	11.1	8.2	389	6.1	2.4	2.5	B-E-F-O-R-Th	83x51x56	90	75	**

LWA All generators with LWA value are compliant with all CE-regulations (machine directive, EMC directive, low tension directive, CE-noise level directive 2000/14/EC, European exhaust gas regulation Stage 5). They can be used outdoors in the E.U.

* = Generators compliant with all CE-regulations, except the CE-noise level directive 2000/14/EC.
Generators cannot be used outdoors in the E.U.
For applications of generating sets indoors, or if you want to integrate these generating sets in vehicles, please contact us.

** = Generators not compliant with CE-noise level directive 2000/14/EC and not compliant with European exhaust gas regulation Stage 5.

e-power semi-silenced long run generating sets with Honda air-cooled gasoline engines, 3000rpm, 50Hz, 4 stroke

3 - 15kVA

Article code	TYPE	Price in EURO (ex. VAT)	kVA max.	kVA cont.	Amp.		Engine HONDA (EU Stage)	HP max.	kW max.	cm ³	Tank (l)	Cons. @75% load (l/h)	Auto- nomy @75% load (h)	Version	Dimensions (cm)	kg	dB(A) @ 7m	LWA
		Alternator			1 ~ 230V	3 ~ 400V												
990000305	EP3300-11	1235 (MA)	3	2.7	11.7	-	GX200 (V)	5.2	3.8	196	11	1.3	8.5	A-F-FG-O-R-Th	58x42x50	50	66	91
990000306	EP3300-11-AVR	1455 (MA)	2.8	2.5	10.9	-	GX200 (V)	5.2	3.8	196	11	1.3	8.5	A-AVR-F-FG-O-R-Th	58x42x50	50	66	91
950000404	EP4100LN	1650 (S)	4	3.6	16	-	GX270 (V)	7.9	5.8	270	25	2	12.5	A-AC-F-FG-O-R-Th	75x60x59	78	70	95
950000408	EP4100-25	2120 (S)	4	3.6	16	-	GX270 (V)	7.9	5.8	270	25	2	12.5	A-AC-F-FG-h-O-R-TM-V	75x60x59	79	70	95
950000604	EP6000LN	2090 (S)	6	5.4	23	-	GX390 (V)	11.1	8.2	389	25	2.4	10.4	A-AC-F-FG-O-R-Th	75x60x59	91	71	96
950000605	EP6000-25	2560 (S)	6	5.4	23	-	GX390 (V)	11.1	8.2	389	25	2.4	10.4	A-AC-F-FG-h-O-R-TM-V	75x60x59	92	71	96
950000609	EP6000E-25	2960 (S)	6	5.4	23	-	GX390 (V)	11.1	8.2	389	25	2.4	10.4	A-AC-E-F-FG-h-O-R-TM-V	75x60x59	97	71	96
950000654	EP6500TLN	2375 (S)	7	6.5	17	9.4	GX390 (V)	11.1	8.2	389	25	2.4	10.4	B-AC-F-FG-O-R-Th	80x58x63	96	71	96
950000658	EP6500T-25	2845 (S)	7	6.5	17	9.4	GX390 (V)	11.1	8.2	389	25	2.4	10.4	B-AC-F-FG-h-O-R-TM-V	80x58x63	97	71	96
950000659	EP6500TE-25	3245 (S)	7	6.5	17	9.4	GX390 (V)	11.1	8.2	389	25	2.4	10.4	B-AC-E-F-FG-h-O-R-TM-V	80x58x63	110	71	96
950001007	EPG10000E	5695 (S)	10	8	35	-	GX630 (V)	19	14	688	20	4.2	4.8	A2-E-F-FPm-h-O-TM	88x64x70	180	72	97
950001207	EPG12000E	6420 (S)	12	10	43	-	GX690 (V)	20	15	688	20	5	4	A2-E-F-FPm-h-O-TM	88x64x70	184	71	96
950001208	EPG12000TE	5825 (S)	12	10	16	14.4	GX630 (V)	19	14	688	20	4.2	4.8	B-E-F-FPm-h-O-TM	88x64x70	183	72	97
950001508	EPG15000TE	6555 (S)	15	12.5	16	18	GX690 (V)	20	15	688	20	5	4	B-E-F-FPm-h-O-TM	88x64x70	188	71	96

e-power standard generating sets with air-cooled diesel engines, 3000rpm, 50Hz, 4 stroke

2,6 - 13.5kVA

Article code	TYPE	Price in EURO (ex. VAT)	kVA max.	kVA cont.	Amp.		Engine (EU Stage)	HP max.	kW max.	cm³	Tank (l)	Cons. @ 75% load (l/h)	Autonomy @ 75% load (h)	Version	Dimensions (cm)	kg	dB(A) @ 7m	LWA
		Alternator			1 ~ 230V	3 ~ 400V												
993010280	EP2800D	1895 (MA)	2.6	2.3	10	-	Yanmar L48N (NE)	4.2	3.1	219	2.4	0.7	3.4	A-F-FG-R-Th	77x51x56	54	78	*
993010281	EP2800DE	2460 (MA)	2.6	2.3	10	-	Yanmar L48N (NE)	4.2	3.1	219	2.4	0.7	3.4	A-E-F-FG-OL-R-Th	77x51x56	68	78	*
995010300	EP3000D	2610 (MA)	2.8	2.5	10.9	-	Hatz 1B20-4 (V)	4.2	3.1	232	3.2	0.7	4.6	A-F-R-Th	67x51x56	58	78	*
995010301	EP3000DE	3635 (MA)	2.8	2.5	10.9	-	Hatz 1B20-4 (V)	4.2	3.1	232	3.2	0.7	4.6	A-E-F-OP-R-Th	67x51x56	72	78	*
953010400	EP4000D	2090 (S)	3.6	3.3	14.3	-	Yanmar L70V (V)	6	4.4	320	3.3	1.3	2.5	A-F-FG-R-Th	77x51x56	70	77	*
953010401	EP4000DE	2545 (S)	3.6	3.3	14.3	-	Yanmar L70V (V)	6	4.4	320	3.3	1.3	2.5	A-E-F-FG-OL-R-Th	77x51x56	82	77	*
955010350	EP4200D	2990 (S)	4.2	3.7	16	-	Hatz 1B30-4 (V)	6.8	5	347	4.6	1.3	3.5	A-F-R-Th	77x51x56	74	80	*
955010371	EP4200DE	4050 (S)	4.2	3.7	16	-	Hatz 1B30-4 (V)	6.8	5	347	4.6	1.3	3.5	A-E-F-OP-R-Th	77x51x56	82	80	*
955010502	EP5000TD	3275 (S)	5	4.5	16	6.5	Hatz 1B30-4 (V)	6.8	5	347	4.6	1.3	3.5	B-F-R-Th	83x51x56	82	80	*
955010453	EP5000TDE	4340 (S)	5	4.5	16	6.5	Hatz 1B30-4 (V)	6.8	5	347	4.6	1.3	3.5	B-E-F-OP-R-Th	83x51x56	94	80	*
953010600	EP6000D	2555 (S)	5.2	4.7	20	-	Yanmar L100V (V)	8.8	6.5	435	5.4	1.8	3	A-F-FG-R-Th	83x51x56	95	80	*
953010601	EP6000DE	3045 (S)	5.2	4.7	20	-	Yanmar L100V (V)	8.6	6.3	435	5.4	1.8	3	A-E-F-FG-OL-R-Th	83x51x56	110	80	*
955010600	EP6000D	3680 (S)	6	5.4	23	-	Hatz 1B40U-4 (V)	9.7	7.1	462	5	1.9	2.6	A-F-R-Th	83x51x56	95	83	*
955010541	EP6000DE	4745 (S)	6	5.4	23	-	Hatz 1B40U-4 (V)	9.7	7.1	462	5	1.9	2.6	A-E-F-OP-R-Th	83x51x56	110	83	*
953010602	EP6000TD	2745 (S)	6	5.5	17	7.9	Yanmar L100V (V)	8.8	6.5	435	5.4	1.8	3	B-F-FG-R-Th	83x51x56	97	80	*
953010603	EP6000TDE	3245 (S)	6	5.5	17	7.9	Yanmar L100V (V)	8.6	6.3	435	5.4	1.8	3	B-E-F-FG-OL-R-Th	83x51x56	110	80	*
955010702	EP7000TD	3910 (S)	7	6.5	17	9.4	Hatz 1B40U-4 (V)	9.7	7.1	462	5	1.9	2.6	B-F-R-Th	83x51x56	95	83	*
955010653	EP7000TDE	4975 (S)	7	6.5	17	9.4	Hatz 1B40U-4 (V)	9.7	7.1	462	5	1.9	2.6	B-E-F-OP-R-Th	83x51x56	110	83	*
995010911	EPSP9000DE	10025 (MA)	8.5	7.7	33	-	Hatz 1D81C (V)	13	9.6	667	25	3	8.3	A7-E-F-FPm-h-MS-OP-TM-TP-V	100x64x70	245	74	*
955011013	EPSP10000TDE	9840 (S)	10	9	13	13	Hatz 1D81C (V)	13	9.6	667	25	3	8.3	B-E-F-FPm-h-MS-OP-TM-TP-V	100x64x70	245	74	*
951411200	EP12000TDE	7450 (S)	13.5	12	20	17	Kohler KD425/2 (NE)	17	12.5	851	19	2,8	6,8	B-E-F-FPm-MS-OP-TM	111x66x60	167	82	*

Generators with * cannot be used outdoors in the EU. For applications of generating sets indoors, or if you want to integrate these generators in vehicles, please contact us.

e-power super-silenced generating sets with air-cooled engines, 3000rpm, 50Hz, 4 stroke

2,5 - 15kVA

Article code	TYPE	Price in EURO (ex. VAT)	kVA max.	kVA cont.	Amp.		Engine (EU Stage)	HP max.	kW max.	cm³	Tank (l)	Cons. @ 75% load (l/h)	Autonomy @ 75% load (h)	Version	Dimensions (cm)	Dimensions without tank (cm)	kg	dB(A) @ 7m	LWA
					1 ~ 230V	3 ~ 400V													
950000611	EPS6000E	5755 (S)	6	5.4	23	-	Honda GX390 (V)	11.1	8.2	389	20	2.4	8.3	A3-E-EC-FPm-h-O-TM-TP-V	110x56x56	92x56x56	150	62	87
950000663	EPS6500TE	5845 (S)	7	6.5	17	9.4	Honda GX390 (V)	11.1	8.2	389	20	2.4	8.3	B3-E-EC-FPm-h-O-TM-TP-V	110x56x56	92x56x56	150	62	87
990001011	EPS10000E	6740 (MA)	10	8	35	-	Honda GX630 (V)	19	14	688	20	4.2	4.8	A3-E-EC-FPm-h-O-TM-TP-V	127x64x57	109x64x57	200	66	91
950001211	EPS12000E	8065 (S)	12	10	43	-	Honda GX690 (V)	20	15	688	20	5	4	A4-E-EC-FPm-h-O-TM-TP-V	127x75x59	109x75x59	220	69	94
990001213	EPS12000TE	7115 (MA)	12	10	16	14.4	Honda GX630 (V)	19	14	688	20	4.2	4.8	B3-E-EC-FPm-h-O-TM-TP-V	127x64x57	109x64x57	204	66	91
950001513	EPS15000TE	8215 (S)	15	12.5	23	18	Honda GX690 (V)	20	15	688	20	5	4	B6-E-EC-FPm-h-O-TM-TP-V	127x75x59	109x75x59	224	69	94
995010261	EPS2500DE	on request	2.5	2.2	9.6	-	Hatz 1B20-4 (V)	4.2	3.1	232	10	0.7	14.3	A0-E-FP-h-MS-OP-TM-TP-V	94x52x45	81x52x45	125	62	87
951010361	EPS3500DE	on request	3	2.7	11.7	-	Kubota OC60 (V)	5.4	4	276	20	1.2	16.7	A1-E-FP-h-MS-OP-TM-TP-V	110x56x56	92x56x56	155	65	90
953010511	EPS5500DE	6655 (S)	5	4.5	20	-	Yanmar L100V (V)	8.8	6.5	435	20	1.9	10.5	A3-E-ES-FP-h-MS-OP-TM-TP-V	127x64x62	109x64x62	200	66	91
955010611	EPS6000DE	8480 (S)	5.5	5	22	-	Hatz 1B40U-4 (V)	9.7	7.1	462	20	1.9	10.5	A3-E-ES-FP-h-MS-OP-TM-TP-V	127x64x62	109x64x62	200	66	91
953010613	EPS6000TDE	6845 (S)	5.5	5	17	7.2	Yanmar L100V (V)	8.8	6.5	435	20	1.9	10.5	B3-E-ES-FP-h-MS-OP-TM-TP-V	127x64x62	109x64x62	200	66	91
955010713	EPS7000TDE	8765 (S)	7	6.5	17	9.4	Hatz 1B40U-4 (V)	9.7	7.1	462	20	1.9	10.5	B3-E-ES-FP-h-MS-OP-TM-TP-V	127x64x62	109x64x62	200	66	91

Gasoline

Diesel

e-power open generating sets with Kubota water-cooled diesel engines, 3000 or 1500rpm, 50Hz, 4 stroke

6 - 44kVA

Article code	TYPE	Price in EURO (ex. VAT)	kVA max.	kVA cont.	Amp.		Engine KUBOTA (EU Stage)	Cil.	kW max.	cm³	Tank (l)	Cons. @ 75% load (l/h)	Autonomy @ 75% load (h)	Version	Dimensions (cm)	kg	dB(A) @ 7m	LWA
		Alternator			1 ~ 230V	3 ~ 400V												
951010601	EP73DE	8270 (S)	6	5.4	23	-	Z482 (V)	2	7.5	479	47	1.8	26.1	A2-E-ES-FG-FI4-FP-h-MS-ODP-OP-TM-TP-V	105x64x78	190	78	*
951010653	EP83TDE	8415 (S)	8	7	14.3	10.1	Z482 (V)	2	7.5	479	47	1.8	26.1	B-E-ES-FG-FI4-FP-h-MS-ODP-OP-TM-TP-V	105x64x78	190	78	*
991010801	EP103DE	9425 (MA)	9.5	8.5	37	-	D722 (V)	3	11.3	719	50	2.5	20	A2-E-ES-FG-FI4-FP-h-MS-ODP-OP-TM-TP-V	115x64x78	260	80	*
951011003	EP113TDE	9320 (S)	11	10	14.3	14.4	D722 (V)	3	11.3	719	50	2.5	20	B7-E-ES-FG-FI4-FP-h-MS-ODP-OP-TM-TP-V	115x64x78	260	80	*
951011201	EP123DE	10190 (S)	12	11	48	-	D902 (V)	3	14	898	50	3.3	15.2	A2-E-ES-FG-FI4-FP-h-MS-ODP-OP-TM-TP-V	115x64x78	265	81	*
951011303	EP133TDE	10490 (S)	13.5	12	20	17	D902 (V)	3	14	898	50	3.3	15.2	B7-E-ES-FG-FI4-FP-h-MS-ODP-OP-TM-TP-V	115x64x78	265	81	*
951011601	EP163DE	10950 (S)	14.5	13.2	57	-	D1105 (V)	3	17	1123	55	3.9	14.1	A5-E-ES-FG-FI4-FP-h-MS-ODP-OP-TM-TP-V	130x64x89	330	81	*
991011804	EP183TDE	11560 (MA)	18	17	27	25	D1105 (V)	3	17	1123	55	3.9	14.1	B4-AVR-E-ES-FG-FI4-FP-h-MS-ODP-OP-T+-TM-TP-V	130x64x89	320	81	*
951011901	EP193DE	12995 (S)	17.8	16.2	70	-	V1505 (NE - IIIA)	4	27	1498	65	5	13	A5-E-ES-FG-FI4-FP-h-MS-ODP-OP-TM-TP-V	150x74x89	370	83	*
991012403	EP243TDE	13735 (MA)	24	23	35	33	V1505 (NE - IIIA)	4	27	1498	65	5	13	B4-AVR-E-ES-FG-FI4-FP-h-MS-ODP-OP-T+-TM-TP-V	150x74x89	360	83	*
951110903	EP8DE	10390 (S)	7.5	7	30	-	D1105 (V)	3	9.5	1123	55	1.9	28.9	A7-AVR-ES-FG-FI4-ODP-Y	130x64x89	305	70	95
991110903	EP9TDE	11450 (MA)	9	8.5	12.2	12.3	D1105 (V)	3	9.5	1123	55	1.9	28.9	B7-AVR-ES-FG-FI4-ODP-T+-Y	130x64x89	320	70	95
951111101	EP11DE	13125 (S)	11	10	43	-	D1703M (V)	3	15	1647	65	2.6	25	A5-AVR-Erpm-ES-FG-FI4-ODP-OL-Y	150x74x89	395	73	*
981111403	EP14TDE	13670 (LS)	14	13	19	19	D1703M (V)	3	15	1647	65	2.6	25	B6-AVR-Erpm-ES-FG-FI4-LS2-ODP-OL-Y	150x74x89	410	73	*
951111801	EP18DE	15620 (S)	18	16	70	-	V2203M (V)	4	17	2197	68	3.7	18.4	A5-AVR-Erpm-ES-FG-FI4-ODP-OL-Y	160x74x91	470	75	*
981112003	EP20TDE	15385 (LS)	19	18	29	26	V2203M (V)	4	17	2197	68	3.7	18.4	B4-AVR-Erpm-ES-FG-FI4-LS2-ODP-OL-Y	160x74x91	465	75	*
991113001	EP30DE	23690 (MA)	30	28	122	-	V3800DIT (NE - IIIA)	4	42	3769	76	7.7	9.9	A5-Amp1-AVR-DSE-Erpm-ES-FG-FI4-Hz-ODP-OL-PAI-T+-WS-Y	160x96x105	695	79	*
981113403	EP34TDE	19215 (LS)	33	30	43	43	V3300 (NE - IIIA)	4	28	3318	76	6.1	12.5	B12-Amp3-AREP-AVR-DSE-ES-FG-FI4-Hz-LS2-ODP-OL-WS-Y	160x96x105	623	77	*
981114403	EP44TDE	21220 (LS)	44	40	58	58	V3800DIT (NE - IIIA)	4	42	3769	76	7.7	9.9	B12-Amp3-AREP-AVR-DSE-Erpm-ES-FG-FI4-Hz-LS2-ODP-OL-PAI-WS-Y	160x96x105	640	79	*

3000rpm

1500rpm

Generators with * cannot be used outdoors in the EU. For applications of generating sets indoors, or if you want to integrate these generators in vehicles, please contact us.

e-power super-silenced generating sets with Kubota water-cooled diesel engines, 3000rpm, 50Hz, 4 stroke

6 - 33kVA

Article code	TYPE	Price in EURO (ex. VAT)	kVA max.	kVA cont.	Amp.		Alternator (IP23)	Engine KUBOTA (EU Stage)	Cil.	kW max.	cm ³	Tank (l)	Cons. @ 75% load (l/h)	Auto- nomy @ 75% load (h)	Version	Dimensions (cm)	kg	dB(A) @ 7m	LWA
		Alternator			1 ~ 230V	3 ~ 400V													
951010712	New Boy EPS73DE	9750 (S)	6	5.4	23	-	EK2LCT	Z482 (V)	2	7.5	479	23	1.8	12.8	A3-E-ES-FG-FI4-FP-h-LE-MS-ODP-OP-TM-TP-V	123x64x68	295	65	90
951010814	New Boy EPS83TDE	9890 (S)	8	7	14.3	10.1	ET2LBS	Z482 (V)	2	7.5	479	23	1.8	12.8	B3-E-ES-FG-FI4-FP-h-LE-MS-ODP-OP-TM-TP-V	123x64x68	295	65	90
991011012	New Boy EPS103DE	10645 (MA)	9.5	8.5	37	-	S20F-200/2A	D722 (V)	3	11.3	719	25	2.5	10	A3-E-ES-FG-FI4-FP-h-LE-MS-ODP-OP-TM-TP-V	138x64x68	345	67	92
951011114	New Boy EPS113TDE	10345 (S)	11	10	14.3	14.4	ET2LBS	D722 (V)	3	11.3	719	25	2.5	10	B3-E-ES-FG-FI4-FP-h-LE-MS-ODP-OP-TM-TP-V	138x64x68	345	67	92
951011312	New Boy EPS123DE	11115 (S)	12	11	48	-	FK2MFS	D902 (V)	3	14	898	25	3.3	7.6	A3-E-ES-FG-FI4-FP-h-LE-MS-ODP-OP-TM-TP-V	138x64x68	360	71	96
951011414	New Boy EPS133TDE	11095 (S)	13.5	12	20	17	FT2MES	D902 (V)	3	14	898	25	3.3	7.6	B3-E-ES-FG-FI4-FP-h-LE-MS-ODP-OP-TM-TP-V	138x64x68	360	71	96
951011612	EPS163DE	12950 (S)	14.5	13.2	57	-	GK2MBL	D1105 (V)	3	17	1123	63	3.9	16.2	A6-E-ES-FG-FI4-FP-h-LE-MS-ODP-OP-TM-TP-V	150x64x90	444	71	96
991011814	EPS183TDE	13460 (MA)	18	17	27	25	ECP3-2L/2	D1105 (V)	3	17	1123	63	3.9	16.2	B5-AVR-E-ES-FG-FI4-FP-h-LE-MS-ODP-OP-T+TM-TP-V	150x64x90	450	71	96
951011911	EPS193DE	15470 (S)	17.8	16.2	70	-	GK2MBL	V1505 (NE - IIIA)	4	27	1498	73	5	14.6	A6-E-ES-FG-FI4-FP-h-LE-MS-ODP-OP-TM-TP-V	170x74x100	545	71	96
991012413	EPS243TDE	16035 (MA)	24	23	35	33	ECP28-2L/2	V1505 (NE - IIIA)	4	27	1498	73	5	14.6	B5-AVR-E-ES-FG-FI4-FP-h-LE-MS-ODP-OP-T+TM-TP-V	170x74x100	572	71	96
991013313	EPS333TDE	19925 (MA)	33	29	42	42	ECP28-3L/2	V1505T (NE - IIIA)	4	30	1498	73	6.5	11.2	B14-Amp3-AVR-DSE-E-ES-FG-FI4-FP-h-LE-MS-ODP-OP-T+TM-TP-V	170x74x118	710	71	96

e-power super-silenced generating sets with Kubota water-cooled diesel engines, 1500rpm, 50Hz, 4 stroke

2,5 - 44kVA

Article code	TYPE	Price in EURO (ex. VAT)	kVA max.	kVA cont.	Amp.		Engine KUBOTA (EU Stage)	Cil.	kW max.	cm³	Tank (l)	Cons. @75% load (l/h)	Autonomy @75% load (h)	Version	Dimensions (cm)	kg	dB(A) @ 7m	LWA
		Alternator			1 ~ 230V	3 ~ 400V												
951110312	EPS3DE	11900 (S)	2.5	2.3	10	-	Z482 (V)	2	3.2	479	23	0.7	32.9	A11-Amp1-DSE-E-Ermp-ES-FG-FI4-FP-h-LE-MS-ODP-OP-TM-TP-V	123x64x68	374	60	85
951110912	EPS8DE	12010 (S)	7.5	7	30	-	D1105 (V)	3	9.5	1123	63	1.9	33.2	A8-AVR-ES-FG-FI4-LE-ODP-Y	150x64x90	430	65	90
991110914	EPS9TDE	13065 (MA)	9	8.5	12.2	12.3	D1105 (V)	3	9.5	1123	63	1.9	33.2	B9-AVR-ES-FG-FI4-LE-ODP-T++	150x64x90	440	65	90
951111112	EPS11DE	15125 (S)	11	10	43	-	D1703M (V)	3	15	1647	73	2.6	28.1	A6-AVR-Ermp-ES-FG-FI4-LE-ODP-OL-Y	170x74x100	575	65	90
981111414	EPS14TDE	15580 (LS)	14	13	19	19	D1703M (V)	3	15	1647	73	2.6	28.1	B11-AVR-Ermp-ES-FG-FI4-LE-LS2-ODP-OL-Y	170x74x100	580	65	90
951111812	EPS18DE	18225 (S)	18	16	70	-	V2203M (V)	4	17	2197	80	3.7	21.6	A6-AVR-Ermp-ES-FG-FI4-LE-ODP-OL-Y	198x74x100	660	65	90
981112014	EPS20TDE	17650 (LS)	19	18	29	26	V2203M (V)	4	17	2197	80	3.7	21.6	B5-AVR-Ermp-ES-FG-FI4-LE-LS2-ODP-OL-Y	198x74x100	660	65	90
991113011	EPS30DE	26850 (MA)	30	28	122	-	V3800DIT (NE - IIIA)	4	42	3769	90	7.7	11.7	A10-Amp1-AVR-DSE-Ermp-ES-FG-FI4-Hz-LE-ODP-OL-PAI-T++-WS-Y	210x94x112	970	65	90
981113413	EPS34TDE	22230 (LS)	33	30	43	43	V3300 (NE - IIIA)	4	28	3318	90	6	15	B14-Amp3-AREP-AVR-DSE-ES-FG-FI4-Hz-LE-LS2-ODP-OL-WS-Y	210x94x112	887	65	90
981114413	EPS44TDE	25885 (LS)	44	40	58	58	V3800DIT (NE - IIIA)	4	42	3769	90	7.7	11.7	B14-Amp3-AREP-AVR-DSE-Ermp-ES-FG-FI4-Hz-LE-LS2-ODP-OL-PAI-WS-Y	210x94x112	928	65	90

e-power rental silenced generating sets with Kubota water-cooled diesel engines, 3000rpm, 50Hz, 4 stroke

11kVA

Article code	TYPE	Price in EURO (ex. VAT)	kVA max.	kVA cont.	Amp.		Engine KUBOTA (EU Stage)	Cil.	kW max.	cm³	Tank (l)	Cons. @75% load (l/h)	Autonomy @75% load (h)	Version	Dimensions (cm)	kg	dB(A) @ 7m	LWA
		Alternator			1 ~ 230V	3 ~ 400V												
991011024	EPSR11-3TDE	on request (MA)	10.5	9.5	14.3	13.7	D722 (V)	3	11.3	719	86	2.5	34.4	B3-Amp3-AVR-BFT-CLS-DH-DSE-ES-FH-FI4-FLM-GALV-Hz-LE-LFLS2-ODP-OL-PI-T++-TE-VS-WS-Y	150x76x117	525	62	87

e-power rental silenced generating sets with Kubota water-cooled diesel engines, 1500rpm, 50Hz, 4 stroke

19 - 44kVA

Article code	TYPE	Price in EURO (ex. VAT)	kVA max.	kVA cont.	Amp.		Engine KUBOTA (EU Stage)	Cil.	kW max.	cm³	Tank (l)	Cons. @75% load (l/h)	Autonomy @75% load (h)	Version	Dimensions (cm)	kg	dB(A) @ 7m	LWA
		Alternator			1 ~ 230V	3 ~ 400V												
981112024	EPSR20TDE	24035 (LS)	19	18	29	26	V2203M (V)	4	17	2197	124	3.7	33.5	B5-Amp3-AVR-BFT-CLS-DH-DSE-Ermp-ES-FH-FI4-FLM-GALV-Hz-LE-LFLS2-LS2-ODP-OL-PI-TC-TE-VS-WS-Y	185x91x137	825	60	85
981113423	EPSR34TDE	on request (LS)	33	30	43	43	V3300 (NE - IIIA)	4	28	3318	263	6	43.8	B14-Amp3-AREP-AVR-BFT-CLS-DH-DSE-ES-FH-FI4-FLM-GALV-Hz-LE-LFLS2-LS2-ODP-OL-PI-TC-TE-VS-WS-Y	209x101x147	1160	65	90
981114423	EPSR44TDE	on request (LS)	44	40	58	58	V3800DIT (NE - IIIA)	4	42	3769	263	7.7	34.2	B14-Amp3-AREP-AVR-BFT-CLS-DH-DSE-Ermp-ES-FH-FI4-FLM-GALV-Hz-LE-LFLS2-LS2-ODP-OL-PAI-PI-TC-TE-VS-WS-Y	209x101x147	1200	66	91

e-power rental ultra-silenced generating sets with Kubota water-cooled diesel engines, 1500rpm, 50Hz, 4 stroke

14 - 44kVA

Article code	TYPE	Price in EURO (ex. VAT)	kVA max.	kVA cont.	Amp.		Engine KUBOTA (EU Stage)	Cil.	kW max.	cm³	Tank (l)	Cons. @75% load (l/h)	Autonomy @75% load (h)	Version	Dimensions (cm)	kg	dB(A) @ 7m	LWA
		Alternator			1 ~ 230V	3 ~ 400V												
981111433	EPUS14TDE	28125 (LS)	14	13	19	19	D1703M (V)	3	15	1647	263	2.6	101.2	B5-Amp3-AVR-BFT-CLS-DH-DSE-Ermp-ES-FH-FI4-FLM-GALV-Hz-LE-LFLS2-LS2-ODP-OL-PI-TC-TE-VS-WS-Y	209x101x147	970	54	79
981112034	EPUS20TDE	28870 (LS)	19	18	29	26	V2203M (V)	4	17	2197	263	3.7	71.1	B5-Amp3-AVR-BFT-CLS-DH-DSE-Ermp-ES-FH-FI4-FLM-GALV-Hz-LE-LFLS2-LS2-ODP-OL-PI-TC-TE-VS-WS-Y	209x101x147	1050	56	81
981114433	EPUS44TDE	on request (LS)	44	40	58	58	V3800DIT (NE - IIIA)	4	42	3769	524	7.7	68.1	B14-Amp3-AREP-AVR-BFT-CLS-DH-DSE-Ermp-ES-FH-FI4-FLM-GALV-Hz-LE-LFLS2-LS2-ODP-OL-PAI-PI-TC-TE-VS-WS-Y	285x110x206	1687	56	81

e-power open generating sets from 60 to 250kVA with Iveco water-cooled diesel engine, 1500rpm, 50Hz, 4 stroke

60 - 250kVA

Article code	TYPE	Price in EURO (ex. VAT)	kVA max (50Hz)	kVA cont.	Amp.		Engine IVECO (EU Stage)	Cil.	Electronic speed governor	kW max.	cm³	Tank (l)	Cons. @75% load (l/h)	Autonomy @75% load (h)	Battery voltage (V)	Alternator	Version	Dimensions (cm)	kg	dB(A) @ 7m	LWA
		Alternator			1 ~ 230V	3 ~ 400V															
783106003	EP60TDE	20685 (LS)	66	60	87	87	NEF N45SM1A - St.II	4	Option	59	4500	430	12.5	34.4	12	LSA42.3L9 AREP	Amp3-AREP-AVR-DSE-E-ES-FFPM-FLM-h-Hz-LFLS2-LS2-M-MS-ODP-OP-TC-TE-TM-TP-V-WSFP	250x110x140	1015	84	*
783110003	EP100TDE	on request (LS)	110	100	143	144	NEF N45TM2A - St.II	4	Option	96	4500	430	17.1	25.1	12	LSA44.3S5 AREP	Amp3-AREP-AVR-CLS-DSE-E-ES-FFPM-FLM-FPM-h-Hz-LFLS2-LS2-M-MS-ODP-OP-TC-TE-TM-TP-V-WSFP	250x110x161	1322	86	*
783115003	EP150TDE	on request (LS)	165	150	217	217	NEF N67TM3A - St.II	6	Option	152	6700	430	25.7	16.7	24	LSA44.3L10 AREP	Amp3-AREP-AVR-CLS-DSE-E-ES-FFPM-FLM-FPM-h-Hz-LFLS2-LS2-M-MS-ODP-OP-TC-TE-TM-TP-V-WSFP	250x110x162	1653	88	*
783020003	EP200TDE	on request (LS)	220	200	287	289	NEF N67TM7 - NE	6	Option	193	6700	500	33.8	14.8	24	LSA46.3S3 AREP	Amp3-AREP-AVR-CLS-DSE-E-Erpm-ES-FFPM-FLM-FPM-h-Hz-LFLS2-LS2-M-MS-ODP-OP-TC-TE-TM-TP-V-WSFP	280x115x173	1865	90	*
783025003	EP250TDE	on request (LS)	275	250	361	361	NEF N67TE8P - NE	6	Standard	237	6700	500	41.9	11.9	24	LSA46.3S5 AREP	Amp3-AREP-AVR-CLS-DSE-E-Erpm-ES-FFPM-FLM-FPM-h-Hz-LFLS2-LS2-M-MS-ODP-OP-TC-TE-TM-TP-V-WSFP	280x115x173	2095	91	*

e-power open generating sets from 315 to 600kVA with Volvo water-cooled diesel engine, Stage II, 1500rpm, 50Hz, 4 stroke

315 - 600kVA

Article code	TYPE	Price in EURO (ex. VAT)	kVA max (50Hz)	kVA cont.	Amp.		Engine VOLVO (EU Stage II)	Cil.	Electronic speed governor	kW max.	cm³	Tank (l)	Cons. @75% load (l/h)	Autonomy @75% load (h)	Battery voltage (V)	Alternator	Version	Dimensions (cm)	kg	dB(A) @ 7m	LWA
		Alternator			1 ~ 230V	3 ~ 400V															
780231503	EP315TDE	72220 (LS)	347	315	457	455	TAD1341GE	6	Standard	302	12780	535 (o)	47	-	24	LSA46.3L10 AREP	Amp3-AREP-AVR-BFT-CLS-DSE-E-Erpm-ES-FFPM-h-Hz-LS2-M-MS-ODP-OP-TC-TE-TM-TP-V-VF-WSFP	420x158x228	3570	93	*
780241003	EP410TDE	86140 (LS)	450	410	596	592	TAD1344GE	6	Standard	389	12780	535 (o)	62	-	24	LSA47.2S4 AREP	Amp3-AREP-AVR-BFT-CLS-DSE-E-Erpm-ES-FFPM-h-Hz-LS2-M-MS-ODP-OP-TC-TE-TM-TP-V-VF-WSFP	420x158x228	3720	93	*
780250003	EP500TDE	111375 (LS)	550	500	726	722	TAD1641GE	6	Standard	473	16120	722 (o)	75	-	24	LSA47.2M7 AREP	Amp3-AREP-AVR-BFT-CLS-DSE-E-Erpm-ES-FFPM-h-Hz-LS2-M-MS-ODP-OP-TC-TE-TM-TP-V-VF-WSFP	430x198x261	4370	93	*
780260003	EP600TDE	122510 (LS)	650	591	857	853	TAD1642GE	6	Standard	554	16120	722 (o)	87	-	24	LSA47.2L9 AREP	Amp3-AREP-AVR-BFT-CLS-DSE-E-Erpm-ES-FFPM-h-Hz-LS2-M-MS-ODP-OP-TC-TE-TM-TP-V-VF-WSFP	430x198x261	4500	93	*

(o) = Option

e-power silenced generating sets from 60 to 250kVA with Iveco water-cooled diesel engine, 1500rpm, 50Hz, 4 stroke

60 - 250kVA

Article code	TYPE	Price in EURO (ex. VAT)	kVA max (50Hz)	kVA cont.	Amp.		Engine IVECO (EU Stage)	Cil.	Electronic speed governor	kW max.	cm³	Tank (l)	Cons. @ 75% load (l/h)	Autonomy @ 75% load (h)	Battery voltage (V)	Alternator	Version	Dimensions (cm)	kg	dB(A) @ 7m	LWA
		Alternator			1 ~ 230V	3 ~ 400V															
783106013	EPS60TDE	28415 (LS)	66	60	87	87	NEF N45SM1A - St.II	4	Option	59	4500	195	10.2	19.1	12	LSA42.3L9 AREP	B8-Amp3-AREP-AVR-BFT-DSE-E-ES-FFPM-FIA-FLM-h-Hz-LE-LFLS2-LS2-MS-ODP-OP-TC-TE-TM2-TP-V-WSFP	285x114x190	1430	64	89
783110013	EPS100TDE	on request (LS)	110	100	143	144	NEF N45TM2A - St.II	4	Option	96	4500	195	17.1	11.4	12	LSA44.3S5 AREP	B8-Amp3-AREP-AVR-BFT-CLS-DSE-E-ES-FFPM-FIA-FLM-FFPm-h-Hz-LE-LFLS2-LS2-MS-ODP-OP-TC-TE-TM2-TP-V-WSFP	285x114x190	1722	71	96
783115013	EPS150TDE	on request (LS)	165	150	217	217	NEF N67TM3A - St.II	6	Option	152	6700	288	25.7	11.2	24	LSA44.3L10 AREP	B8-Amp3-AREP-AVR-BFT-CLS-DSE-E-ES-FFPM-FIA-FLM-FFPm-h-Hz-LE-LFLS2-LS2-MS-ODP-OP-TC-TE-TM2-TP-V-WSFP	330x122x197	2388	72	97
783020013	EPS200TDE	on request (LS)	220	200	287	289	NEF N67TM7 - NE	6	Option	193	6700	352	33.8	10.4	24	LSA46.3S3 AREP	B8-Amp3-AREP-AVR-BFT-CLS-DSE-E-Erpm-ES-FFPM-FIA-FLM-FFPm-h-Hz-LE-LFLS2-LS2-MS-ODP-OP-TC-TE-TM2-TP-V-WSFP	360x123x221	2780	72	97
783025013	EPS250TDE	on request (LS)	275	250	361	361	NEF N67TE8P - NE	6	Standard	237	6700	352	41.9	8.4	24	LSA46.3S5 AREP	B8-Amp3-AREP-AVR-BFT-CLS-DSE-E-Erpm-ES-FFPM-FIA-FLM-FFPm-h-Hz-LE-LFLS2-LS2-MS-ODP-OP-TC-TE-TM2-TP-V-WSFP	360x123x221	2865	72	97

e-power silenced generating sets from 315 to 600kVA with Volvo water-cooled diesel engine, Stage II, 1500rpm, 50Hz, 4 stroke

315 - 600kVA

Article code	TYPE	Price in EURO (ex. VAT)	kVA max (50Hz)	kVA cont.	Amp.		Engine VOLVO (EU Stage II)	Cil.	Electronic speed governor	kW max.	cm³	Tank (l)	Cons. @ 75% load (l/h)	Autonomy @ 75% load (h)	Battery voltage (V)	Alternator	Version	Dimensions (cm)	kg	dB(A) @ 7m	LWA
		Alternator			1 ~ 230V	3 ~ 400V															
780231513	EPS315TDE	80715 (LS)	347	315	457	455	TAD1341GE	6	Standard	302	12780	535	47	11.4	24	LSA46.3L10 AREP	A0-Amp3-AREP-AVR-BFT-CLS-DSE-E-Erpm-ES-FFPM-h-Hz-LE2-LS2-MS-ODP-OP-TC-TE-TM1-TP-V-VF-WSFP	422x160x228	3950	72	97
780241013	EPS410TDE	94450 (LS)	450	410	596	592	TAD1344GE	6	Standard	389	12780	535	62	8.6	24	LSA47.2S4 AREP	A0-Amp3-AREP-AVR-BFT-CLS-DSE-E-Erpm-ES-FFPM-h-Hz-LE2-LS2-MS-ODP-OP-TC-TE-TM1-TP-V-VF-WSFP	422x160x228	4370	72	97
780250013	EPS500TDE	121760 (LS)	550	500	726	722	TAD1641GE	6	Standard	473	16120	722	75	9.6	24	LSA47.2M7 AREP	A0-Amp3-AREP-AVR-BFT-CLS-DSE-E-Erpm-ES-FFPM-h-Hz-LE2-LS2-MS-ODP-OP-TC-TE-TM1-TP-V-VF-WSFP	481x200x261	5250	72	97
780260013	EPS600TDE	132755 (LS)	650	591	857	853	TAD1642GE	6	Standard	554	16120	722	87	8.3	24	LSA47.2L9 AREP	A0-Amp3-AREP-AVR-BFT-CLS-DSE-E-Erpm-ES-FFPM-h-Hz-LE2-LS2-MS-ODP-OP-TC-TE-TM1-TP-V-VF-WSFP	481x200x261	5380	72	97

e-power rental silenced generating sets with Kubota water-cooled diesel engines, Stage V, 1500rpm, 50Hz, 4 stroke

Red data = To Be Confirmed / Blue "TBD" fields = To Be Defined

27 - 40kVA

Article code	TYPE	Price in EURO (ex. VAT)	kVA max.	kVA cont.	Amp.		Engine KUBOTA (EU Stage V)	Cl.	Electronic speed governor	kW max.	cm³	Tank (l)	Cons. @75% load (l/h)	Auto-nomy @ 75% load (h)	DEF Tank (l)	Battery voltage (V)	Alternator	Version	Dimensions (cm)	kg	dB(A) @ 7m	LWA
		Alternator			1 ~ 230V	3 ~ 400V																
981113024	EPSR30TDE-5	on request (LS)	30	27	39	39	V2403-CR-TE5BG	4	Standard	28	2434	310	5,2	60	-	12	LSA42.3VS3 AREP	B14-Amp3-AREP-AVR-BFT-DH-DSE-E-Erpm-ES-FH-FI4-FLM-GALV-Hz-LE-LFLS2-LS2-ODP-OL-PI-TC-TE-VS-WS-Y	233x110x153	1160	TBD	TBD
981114024	EPSR50TDE-5	42000	50	40	58	58	V3800-CR-T-E5BG2	4	Standard	43	3769	310	7	46	-	12	LSA42.3M7 AREP	B14-Amp3-AREP-AVR-BFT-DH-DSE-E-Erpm-ES-FH-FI4-FLM-GALV-Hz-LE-LFLS2-LS2-ODP-OL-PAI-PI-TC-TE-VS-WS-Y	233x110x153	1198	61	86

e-power rental silenced generating sets with Yanmar water-cooled diesel engines, Stage V, 1500rpm, 50Hz, 4 stroke

35 - 43kVA

Article code	TYPE	Price in EURO (ex. VAT)	kVA max.	kVA cont.	Amp.		Engine YANMAR (EU Stage V)	Cl.	Electronic speed governor	kW max.	cm³	Tank (l)	Cons. @75% load (l/h)	Auto-nomy @ 75% load (h)	DEF Tank (l)	Battery voltage (V)	Alternator	Version	Dimensions (cm)	kg	dB(A) @ 7m	LWA
		Alternator			1 ~ 230V	3 ~ 400V																
983114024	EPSR40TDE-5	36330	38	35	51	51	4TNV98C-IYE	4	Standard	35	3319	310	5,9	54	-	12	LSA42.3S5 AREP	B14-Amp3-AREP-AVR-BFT-DH-DSE-E-Erpm-ES-FH-FI4-FLM-GALV-Hz-LE-LFLS2-LS2-ODP-OL-PI-TC-TE-VS-WS-Y	233x110x153	1245	60	85
983115024	EPSR50TDE-5	39840	48	43	62	62	4TNV98CT-IYE	4	Standard	44	3319	310	7,3	44	-	12	LSA42.3M7 AREP	B14-Amp3-AREP-AVR-BFT-DH-DSE-E-Erpm-ES-FH-FI4-FLM-GALV-Hz-LE-LFLS2-LS2-ODP-OL-PAI-PI-TC-TE-VS-WS-Y	233x110x153	1250	TBD	TBD

e-power rental silenced generating sets with Iveco water-cooled diesel engine, Stage V, 1500rpm, 50Hz, 4 stroke

55 - 95kVA

Article code	TYPE	Price in EURO (ex. VAT)	kVA max. (50Hz)	kVA cont.	Amp.		Engine IVECO (EU Stage V)	Cl.	Electronic speed governor	kW max.	cm³	Tank (l)	Cons. @75% load (l/h)	Auto-nomy @ 75% load (h)	DEF Tank (l)	Battery voltage (V)	Alternator	Version	Dimensions (cm)	kg	dB(A) @ 7m	LWA
		Alternator			1 ~ 230V	3 ~ 400V																
785106023	EPSR60TDE-5	53435	60	55	79	79	F34TEVP01.00	4	Standard	54	3400	327	11,9	27	-	12	LSA42.3L9 AREP	B15-Amp3-AREP-AVR-BFT-DH-DSE-E-Erpm-ES-FFPM-FH-FIA-FLM-GALV-h-Hz-LE-LFLS2-LS2-MS-ODP-OP-PC-PI-TC-TE-TM2-TP-V-VS-WSFP	276x113x190	1612	61	86
785110023	EPSR100TDE-5	66805	105	95	137	137	F36TEVP03.A94	4	Standard	92	3600	580	15	38	43	12	LSA44.3S5 AREP	B15-Amp3-AREP-AVR-BFT-CAL-DH-DSE-E-Erpm-ES-FFPM-FH-FIA-FLM-FPM-GALV-h-Hz-LE-LFLS2-LS2-MS-ODP-OP-PC-PI-TC-TE-TM2-TP-V-VS-WSFP	324x113x194	2273	62	87

e-power rental silenced generating sets with John Deere water-cooled diesel engine, Stage V, 1500rpm, 50Hz, 4 stroke

55 - 100kVA

Article code	TYPE	Price in EURO (ex. VAT)	kVA max. (50Hz)	kVA cont.	Amp.		Engine JOHN DEERE (EU Stage V)	Cl.	Electronic speed governor	kW max.	cm³	Tank (l)	Cons. @75% load (l/h)	Auto-nomy @ 75% load (h)	DEF Tank (l)	Battery voltage (V)	Alternator	Version	Dimensions (cm)	kg	dB(A) @ 7m	LWA
		Alternator			1 ~ 230V	3 ~ 400V																
788106023	EPSR60TDE-5	59500	60	55	79	79	3029H P530	3	Standard	55	2900	327	10,5	31	-	12	LSA42.3L9 AREP	B15-Amp3-AREP-AVR-BFT-DH-DSE-E-Erpm-ES-FFPM-FH-FIA-FLM-GALV-h-Hz-LE-LFLS2-LS2-MS-ODP-OP-PC-PI-TC-TE-TM2-TP-V-VS-WSFP	276x113x190	1610	65	90
788110023	EPSR100TDE-5	73170	110	100	144	144	4045H P551	4	Standard	103	4500	580	17,9	32	56	24	LSA44.3S5 AREP	B15-Amp3-AREP-AVR-BFT-CAL-DH-DSE-E-Erpm-ES-FFPM-FH-FIA-FLM-FPM-GALV-h-Hz-LE-LFLS2-LS2-MS-ODP-OP-PC-PI-TC-TE-TM2-TP-V-VS-WSFP	324x113x194	2250	69	94

e-power rental silenced generating sets from 100 to 250kVA with Volvo water-cooled diesel engine, Stage V, 1500rpm, 50Hz, 4 stroke

150 - 250kVA

Article code	TYPE	Price in EURO (ex. VAT)	kVA max. (50Hz)	kVA cont.	Amp.		Engine VOLVO (EU Stage II)	Cl.	Electronic speed governor	kW max.	cm³	Tank (l)	Cons. @75% load (l/h)	Auto-nomy @ 75% load (h)	Battery voltage (V)	Battery voltage (V)	Alternator	Version	Dimensions (cm)	kg	dB(A) @ 7m	LWA
		Alternator			1 ~ 230V	3 ~ 400V																
782115023	EPSR150TDE-5	91200	165	150	217	217	TAD880GE	6	Standard	142	7700	1216	22,4	54	160	24	LSA44.3L10 AREP	B16-Amp3-AREP-AVR-BFT-CAL-DH-DSE-E-Erpm-ES-FFPM-FH-FIA-FLM-FPM-GALV-h-Hz-LE-LFLS2-LS2-MS-ODP-OP-PC-PI-TC-TE-TM2-TP-V-VS-WSFP	400x118x239	3280	TBD	TBD
782120023	EPSR200TDE-5	99600	220	200	287	289	TAD881GE	6	Standard	189	7700	1216	29,6	41	160	24	LSA46.3S3 AREP	B16-Amp3-AREP-AVR-BFT-CAL-DH-DSE-E-Erpm-ES-FFPM-FH-FIA-FLM-FPM-GALV-h-Hz-LE-LFLS2-LS2-MS-ODP-OP-PC-PI-TC-TE-TM2-TP-V-VS-WSFP	400x118x239	3400	TBD	TBD
782125023	EPSR250TDE-5	108000	275	250	361	361	TAD882GE	6	Standard	237	7700	1216	35,8	34	160	24	LSA46.3S5 AREP	B16-Amp3-AREP-AVR-BFT-CAL-DH-DSE-E-Erpm-ES-FFPM-FH-FIA-FLM-FPM-GALV-h-Hz-LE-LFLS2-LS2-MS-ODP-OP-PC-PI-TC-TE-TM2-TP-V-VS-WSFP	400x118x239	3475	67	92

e-power welders with gasoline and diesel engines, 3000rpm, 50Hz, 4 stroke

170 - 400A

Article code	TYPE	Price in EURO (ex. VAT)	Amp.		Max. Ø electrode (mm)	Alternator kVA cont.		Engine (EU Stage)	HP max.	kW max.	cm³	Tank (l)	Cons. @ 75% load (l/h)	Autonomy @ 75% load (h)	Version	Dimensions (cm)	kg	dB(A) @ 7m	LWA		
			Alternator	@ 35% d.c.		@ 60% d.c.	1 ~ 230V														
950001904	EP200X1	2170 (S)	200 AC	150 AC	4	5.4	-	Honda GX390 (V)	11.1	8.2	389	6.1	2.4	2.5	A-F-O-R-Th	83x55x60	90	72	97	Gasoline	
950002104	EP200X2	2360 (S)	200 DC	140 DC	4	4	-	Honda GX390 (V)	11.1	8.2	389	6.1	2.4	2.5	A-F-O-R-Th	83x55x60	90	72	97		
950002107	EP200X2-25	3090 (S)	200 DC	140 DC	4	4	-	Honda GX390 (V)	11.1	8.2	389	25	2.4	10.4	A-AC-F-FG-h-O-R-TM-V	80x58x63	115	71	96		
950002004	EP200X	2440 (S)	200 DC	150 DC	4	3.5	6.5	Honda GX390 (V)	11.1	8.2	389	6.1	2.4	2.5	B-F-O-R-Th	83x55x60	90	72	97		
950002008	EP200X-25	3195 (S)	200 DC	150 DC	4	3.5	6.5	Honda GX390 (V)	11.1	8.2	389	25	2.4	10.4	B-AC-F-FG-h-O-R-TM-V	80x58x63	115	71	96		
950002605	EP250XE	5520 (S)	250 DC	220 DC	5	3	8	Honda GX630 (V)	19	14	688	20	4.2	4.8	B17-E-F-FI2-FPm-h-O-TM	88x55x72	160	75	*		
950003105	EP300XE	5910 (S)	280 DC	220 DC	6	3	8	Honda GX690 (V)	20	15	688	20	5	4	B17-E-F-FI2-FPm-h-O-TM	88x55x72	164	75	*		
957004005	EP400XE	10375 (S)	350 DC	300 DC	6	4	10	B&S Vanguard 543477 (V)	28	21	895	20	6	3.3	B17-E-F-FI2-FPm-h-OP-TM	120x64x72	210	77	*		
953011704	EP170DX1	3030 (S)	170 AC	150 AC	4	4.9	-	Yanmar L100V (V)	8.6	6.3	435	5.4	1.8	3	A-F-FG-R-Th	83x55x60	105	80	*		
953011705	EP170DX1E	3565 (S)	170 AC	150 AC	4	4.9	-	Yanmar L100V (V)	8.6	6.3	435	5.4	1.8	3	A-E-F-FG-OL-R-Th	83x55x60	120	80	*		
953011804	EP180DX2	3160 (S)	180 DC	140 DC	4	4	-	Yanmar L100V (V)	8.6	6.3	435	5.4	1.8	3	A-F-FG-R-Th	83x55x60	110	80	*		
953011805	EP180DX2E	3690 (S)	180 DC	140 DC	4	4	-	Yanmar L100V (V)	8.6	6.3	435	5.4	1.8	3	A-E-F-FG-OL-R-Th	83x55x60	120	80	*		
953011904	EP180DX	3230 (S)	180 DC	150 DC	4	3.5	5.5	Yanmar L100V (V)	8.6	6.3	435	5.4	1.8	3	B-F-FG-R-Th	83x55x60	110	80	*		
953011905	EP180DXE	3770 (S)	180 DC	150 DC	4	3.5	5.5	Yanmar L100V (V)	8.6	6.3	435	5.4	1.8	3	B-E-F-FG-OL-R-Th	83x55x60	120	83	*		
955012004	EP200DX1	4100 (S)	200 AC	150 AC	4	5.4	-	Hatz 1B40U-4 (V)	9.7	7.1	462	5	1.9	2.6	A-F-R-Th	83x55x60	105	83	*	Diesel	
955012005	EP200DX1E	5130 (S)	200 AC	150 AC	4	5.4	-	Hatz 1B40U-4 (V)	9.7	7.1	462	5	1.9	2.6	A-E-F-OP-R-Th	83x55x60	120	83	*		
955012104	EP200DX2	4230 (S)	200 DC	140 DC	4	4	-	Hatz 1B40U-4 (V)	9.7	7.1	462	5	1.9	2.6	A-F-R-Th	83x55x60	110	83	*		
955011405	EP200DX2E	5260 (S)	200 DC	140 DC	4	4	-	Hatz 1B40U-4 (V)	9.7	7.1	462	5	1.9	2.6	A-E-F-OP-R-Th	83x55x60	125	83	*		
955012204	EP220DX	4320 (S)	200 DC	150 DC	4	3.5	6.5	Hatz 1B40U-4 (V)	9.7	7.1	462	5	1.9	2.6	B-F-R-Th	83x55x60	120	83	*		
955011605	EP220DXE	5355 (S)	200 DC	150 DC	4	3.5	6.5	Hatz 1B40U-4 (V)	9.7	7.1	462	5	1.9	2.6	B-E-F-OP-R-Th	83x55x60	135	83	*		
951012305	EPS230DXE	11205 (S)	200 DC	150 DC	4	3.5	6.5	Kubota D722 (V)	15	11.3	719	58	2.9	20	B3-E-ES-FG-FI4-FP-h-LE-MS-ODP-OP-TM-TP-V	138x64x80	350	65	90	Water-cooled	
951013005	EPS300DXE	14080 (S)	280 DC	220 DC	6	3	8	Kubota D1105 (V)	23	17	1123	63	3.5	18	B10-E-ES-FG-FI4-FP-h-LE-MS-ODP-OP-TM-TP-V	150x64x90	460	67	92		
951014005	EPS400DXE	17450 (S)	400 DC	300 DC	6	4	10	Kubota V1505 (NE)	36	27	1498	73	6.1	12	B10-E-ES-FG-FI4-FP-h-LE-MS-ODP-OP-TM-TP-V	170x74x100	570	68	93		

Generators with * cannot be used outdoors in the EU. For applications of generating sets indoors, or if you want to integrate these generators in vehicles, please contact us.

e-power standard and EN1 welders with Honda air-cooled gasoline engine, 3000rpm, 50Hz, 4 stroke

Article code	TYPE	Price in EURO (ex. VAT)	Amp.		Max. Ø electrode (mm)	Alternator kVA cont.		Engine HONDA (EU Stage)	HP max.	kW max.	cm³	Tank (l)	Cons. @ 75% load (l/h)	Autonomy @ 75% load (h)	Version	Dimensions (cm)	kg	dB(A) @ 7m	LWA
			Alternator	@35% d.c.		@60% d.c.	1 ~ 230V												
950001904	EP200X1	2170 (S)	200 AC	150 AC	4	5.4	-	GX390 (V)	11.1	8.2	389	6.1	2.4	2.5	A-F-O-R-Th	83x55x60	90	72	97
SA0951894	EP200X1-EN1	2010 (S)	200 AC	150 AC	4	5.4	-	GX390 (V)	11.1	8.2	389	6.1	2.4	2.5	A-F-O-R-Th	83x55x60	90	75	*
950002104	EP200X2	2360 (S)	200 DC	140 DC	4	4	-	GX390 (V)	11.1	8.2	389	6.1	2.4	2.5	A-F-O-R-Th	83x55x60	90	72	97
SA0952094	EP200X2-EN1	2200 (S)	200 DC	140 DC	4	4	-	GX390 (V)	11.1	8.2	389	6.1	2.4	2.5	A-F-O-R-Th	83x55x60	90	75	*
950002004	EP200X	2440 (S)	200 DC	150 DC	4	3.5	6.5	GX390 (V)	11.1	8.2	389	6.1	2.4	2.5	B-F-O-R-Th	83x55x60	90	72	97
SA0951994	EP200X-EN1	2290 (S)	200 DC	150 DC	4	3.5	6.5	GX390 (V)	11.1	8.2	389	6.1	2.4	2.5	B-F-O-R-Th	83x55x60	90	75	*

LWA All generators with LWA value are compliant with all CE-regulations (machine directive, EMC directive, low tension directive, CE-noise level directive 2000/14/EC, European exhaust gas regulation Stage 5). They can be used outdoors in the E.U.

* = Generators compliant with all CE-regulations, except the CE-noise level directive 2000/14/EC.
Generators cannot be used outdoors in the E.U.
For applications of generating sets indoors, or if you want to integrate these generating sets in vehicles, please contact us.

OPTIONS FOR AIR-COOLED GENERATING SETS 3000rpm		Price in EURO (ex. VAT)
Nr.	Description	
1a	4-wheel kit (2 to 16kVA/up to max. 154kg)	110
1b	2-wheel kit (2 to 16kVA/up to max. 154kg)	185
1c	Surcharge for pneumatics per axle for option 1a and 1b	21
2a	2-wheel kit with pneumatic wheels 300mm for EP16000E/EP18000E/EP20000E/EP20000TE/EP22000TE/EP25000TE	310
2b	2-wheel kit with pneumatic wheels 250mm for EPG10000/EPG12000TE/EPG12000E/EPG15000TE	695
3	4-wheel kit with 4 swivel castors of which 2 with locking device (only for EPS models)	285
4a	2 lifting bars (till max. 100kg)	135
4b	2 lifting eyes (only for EPS models)	145
5a	AVR control (automatic voltage regulator) from 3 up to 8kVA	225
5b	AVR control (automatic voltage regulator) from 10 up to 18kVA	395
6	Thermal magnetic protection 1 x 230V	150
7	Thermal magnetic protection 3 x 400V	240
8	Earth leakage protection, type A, 1 x 230V (30mA) (except for EP3300-11)	255
9	Earth leakage protection, type A, 3 x 400V (30mA)	285
10	Earth pin with 4 meter earth-cable 16mm ²	65
11a	Insulation protection "IB-Protector" 230V with thermal magnetic protection	705
11b	Insulation protection Bender IR423-D43-2, 230V, with thermal magnetic protection	1340
12a	Insulation protection "IB-Protector" 400V with thermal magnetic protection	775
12b	Insulation protection Bender IR423-D43-2, 400V, with thermal magnetic protection	1420
13a	Star-delta switch 20A 230/400V, CEE-socket 4P 16A 230V included (up to 8,5kVA standard types, other types on request)	665
13b	Star-delta switch 32A 230/400V, CEE-socket 4P 32A 230V included (up to 16kVA standard types, other types on request)	835
14	Hour counter	150
15	Voltmeter	150
16	Volt- and ammeter 1 x 230V	260
17	Voltmeter, ammeter and frequency meter 1 x 230V	415
18	Voltmeter with voltmeter switch and 3 ammeters 3 x 400V	630
19	Voltmeter with voltmeter switch, 3 ammeters and frequency meter 3 x 400V	800
20	12 Volt DC (10A) battery charger for generators up to 7kVA / 230V with thermal magnetic protection	210
21	Remote control 5m (Honda petrol engines/electric start) incl. option 25	770
22	Remote control 5m (diesel engines/electric start) incl. option 26	770
23	Remote control, wireless, up to 50m (petrol + diesel engines/electric start) excl. options 25/26	975
24	ECO-throttle (Automatic Idle System) - different types on request	on request
25	Electric choke (for gasoline generators with Honda + B&S Vanguard engine/electric start)	370
26b	Stop solenoid Yanmar L70/100 diesel/electric start	435
27	Manual switch mains/0/generator 20A 4-poles, in plastic box, not assembled (10kVA 230V / 15kVA 400V)	100
28	Automatic Start/Stop System in case of mains failure (up to 9kVA 230V or 17kVA 400V), with single phase mains control, supplied in TN-S earthing system, including earth leakage protection and thermal magnetic protection, with 3 meter cable, excl. option 25/26 and 30, without standard control panel on generator!	1575
29	Automatic Start/Stop System in case of mains failure (up to 16kVA 230V or 31kVA 400V), with single phase mains control, supplied in TN-S earthing system, including earth leakage protection and thermal magnetic protection, with 3 meter cable, excl. option 25/26 and 30, without standard control panel on generator!	1990
30	Module "three-phase mains control" for option 28 and 29	305
31	Automatic Start/Stop System via external contact (excl. option 25/26).	850
32	Battery controller unit 12V (only to be combined with option 31)	720
33	Automatic Start/Stop System on demand (excl. option 25/26)	1485
34	Oil pan heater 230V	435
35	Kit jerrycan 20 liter with carrier frame and membrane pump (GX270/390)	495
36	Large tank (stainless steel) 11 liter (GX160/200) - 20 liter (GX270/390) in frame	560
37	Flexible exhaust tube 2m (adapter for muffler included)	145
40	Welding cables 25mm ² (2 x 5m) for AC welding generators	155
41	Welding cables 35mm ² (2 x 5m) for DC welding generators up to 250A	195
42	Welding cables 50mm ² (2 x 10m) for DC welding generators up to 300A	360
43	Protection cover (red / up to 16kVA, standard types, open frame)	on request
44	Oil drain pump (only for EPS models)	285

Other options on request

OPTIONS FOR WATER-COOLED GENERATING SETS WITH KUBOTA ENGINE		Price in EURO (ex. VAT)
Nr.	Description	
100	Trailer for New Boy EPS73DE/EP83TDE/EP103DE/EP113TDE/EP230DXE (single axle, unbraked)	1785
101	Braked trailer for EPS183TDE/EP300DXE/EP243TDE/EP400DXE/EP14TDE/EP20TDE/EP20TDE (single axle)	3410
102a	Braked trailer for EPS20TDE/EP34TDE/EP44TDE (twin-axle)	3815
102b	Braked trailer for EP34TDE/EP44TDE (twin-axle)	on request
103	4-wheel kit for generating sets New Boy	675
104	Forklift kit for generating sets from 7 till 44kVA	315
105a	Large tank for New Boy with Z482 (53 liter) / D722 + D902 (58 liter) engine	315
105b	Large fuel tank, 150 Liter, bundled, for EPS8DE/EP9TDE/EP163DE/EP183TDE/EP300DXE	2680
105c	Large fuel tank, 400 Liter, bundled, for all "EPS" TYPES till 44kVA	3945
105d	258 Liter fuel tank (72h at full load) for EP11-3TDE	on request
105e	368 Liter fuel tank (72h at full load) for EP20TDE	1845
105f	732 Liter fuel tank (72h at full load) for EP34TDE / EP44TDE / EP14TDE / EP20TDE	2170
106a	Three-way cocks for connection to external fuel tank, quick couplings included	555
106b	Stronger fuel pump (12V DC) for option 106a	400
107a	Minimum fuel level switch with control lamp	135
107b	Liquid level switch (alarm) in chassis (bund) for EP11-3TDE, EP20TDE/EP34TDE/EP44TDE	145
108a	Leroy Somer LSA40 and LSA42.3 alternator protection "system 4" for severe industrial environment, marine environment and coastal area without projections, relative humidity > 95% (for EP(S)(R)20/34/44TDE)	480
108b	Leroy Somer LSA40 and LSA42.3 alternator protection "system 6" for corrosive industrial environment, marine environment and coastal area with projections, relative humidity > 95% (for EP(S)(R)20/34/44TDE)	1555
108c	Glass fiber winding (25% derate) for LSA40 and LSA42.3	on request
109	Battery charger DSE9150 12V 3A (including 230V male socket in control panel) for EP11-3TDE, EP20TDE/EP34TDE/EP44TDE	250
110	Battery on/off switch	295
111a	Insulation protection "IB-Protector"	625
111b	Insulation protection Bender IR423-D43-2	980
111c	Insulation protection Bender ISORW425-D4W-4 (for sensitive equipment with frequency-controlled drives)	2100
111d	Sensitive residual current monitor (up to 24kVA): earth leakage protection, type B, 40A, 30mA, 4P (183004440)	635
111e	Sensitive residual current monitor (up to 40kVA): earth leakage protection, type B, 63A, 30mA, 4P (183004463)	1180
112	Ammeter	90
113	Frequency meter	140
114	Voltmeter switch	150
115	Remote control 5m (all types till 24kVA)	400
116	Remote control for EP30DE/EP34TDE/EP44TDE/EP11-3TDE/EP20TDE/EP34TDE/EP44TDE, cable not included	95
117a	Remote control, wireless, till 50m (all types till 24kVA)	975
117b	Remote control, wireless, till 50m (for EP30DE/EP34TDE/EP44TDE/EP11-3TDE/EP20TDE/EP34TDE/EP44TDE)	365
118	Star-delta switch 32A 230/400V (up to 14kVA), CEE-socket 32A 4p 230V included	835
119	Star-delta switch 63A 230/400V (up to 24kVA), CEE-socket 63A 4p 230V included	1230
120	ECO-throttle (Automatic Idle System) - different types on request	on request
121a	Manual switch mains/0/generator 32A 4-poles, in plastic box, not assembled	190
121b	Manual switch mains/0/generator 63A 4-poles, in plastic box, not assembled	360
121c	Manual switch mains/0/generator 100A 4-poles, in plastic box, not assembled	630
123	Automatic Start/Stop System in case of mains failure (up to 9kVA 230V or 17kVA 400V), with single phase mains control, supplied in TN-S earthing system, including earth leakage protection and thermal magnetic protection, with 3 meter cable, excl. option 130, without standard control panel on generator!	1575
124	Automatic Start/Stop System in case of mains failure (up to 16kVA 230V or 31kVA 400V), with single phase mains control, supplied in TN-S earthing system, including earth leakage protection and thermal magnetic protection, with 3 meter cable, excl. option 130, without standard control panel on generator!	1990
125	Automatic Start/Stop System in case of mains failure (up to 22kVA 230V or 42kVA 400V), with single phase mains control, supplied in TN-S earthing system, including earth leakage protection and thermal magnetic protection, with 3 meter cable, excl. option 130, without standard control panel on generator!	2215
126	Automatic Start/Stop System in case of mains failure (up to 46kVA 230V or 87kVA 400V), with single phase mains control, supplied in TN-S earthing system, including earth leakage protection and thermal magnetic protection, with 3 meter cable, excl. option 130, without standard control panel on generator!	2945
127	Remote monitoring (web-based control) by DSE890 for laptop / PC / smart phone / tablet (for EP30DE/EP34TDE/EP44TDE/EP11-3TDE/EP20TDE/EP34TDE/EP44TDE)	1110
128	GSM/GPS 4G antenna for option 127	215
130	Module "three-phase mains control" for option 123, 124, 125 and 126	305
131a	Automatic Start/Stop System with PDM1 or DSE3110 via external contact.	850
131b	Automatic Start/Stop System with DSE4520 via external contact.	1100
132	Battery controller unit 12V (only to be combined with option 131)	720
133	Automatic Start/Stop System on demand	1485
134	Oil pan heater 230V	450
135	Coolant heater for generating sets with Z482/D722/D902/D1105/V1505/D1703/V2203/V3300/V3800DIT engine	495
136a	Minimum water level switch for coolant expansion tank	150
136b	Minimum level switch for radiator coolant	335
136c	Automatic engine oil level maintainer (Murphy LM500-TF), oil tank included (for EP20TDE/EP34TDE/EP44TDE)	1970
137	Spark arrestors (ATEX approved or Non-ATEX approved)	on request
138	Chalwyn valve (air intake shut down valve)	on request
139	Welding cables 35mm ² (2 x 5m) for welder EP230DXE	195
140	Welding cables 50mm ² (2 x 10m) for welder EP230DXE, EP300DXE and EP400DXE	360
141a	Special RAL color for EPS / EP34 versions (silenced)	345
141b	Extra epoxy primer coating before polyester final coating, for EPS / EP34 / EPUS versions (silenced)	on request

Other options on request

OPTIONS FOR EP OPEN WATER-COOLED GENERATING SETS WITH IVECO / VOLVO ENGINE			Price in EURO (ex. VAT)
Nr.	Description		
	301a	Leroy Somer LSA44.3 alternator protection "system 4" for severe industrial environment, marine environment and coastal area without projections, relative humidity > 95% (for EP100/150TDE)	480
	301b	Leroy Somer LSA46.3 alternator protection "system 4" for severe industrial environment, marine environment and coastal area without projections, relative humidity > 95% (for EP200/250/315TDE)	875
	302a	Leroy Somer LSA44.3 alternator protection "system 6" for corrosive industrial environment, marine environment and coastal area with projections, relative humidity > 95% (for EP100/150TDE)	1555
	302b	Leroy Somer LSA46.3 alternator protection "system 6" for corrosive industrial environment, marine environment and coastal area with projections, relative humidity > 95% (for EP200/250/315TDE)	2445
	303	Glass fiber winding (25% derate) for LSA44.3 and LSA46.3	on request
	304a	Anti-condensation resistor / space heater in LSA44.3 alternator (for EP100/150TDE)	395
	304b	Anti-condensation resistor / space heater in LSA46.3 alternator (for EP200/250/315TDE)	410
	305	60Hz version	on request
	307a	Electronic speed governor "GAC" for EP60TDE	1945
	309	Remote control, wireless, up to 50m	365
	210	Forklift kit (2 pockets) for open type generating sets from 60 till 325kVA	315
	211	Lifting eyes	on request
	312a	Price reduction for version without fuel tank	on request
	212b1	Fuel tank 535 litres for EP315/410TDE	1575
	212b2	Fuel tank 722 litres for EP500/600TDE	1745
	312b3	Larger fuel tanks	on request
	312c	Automatic fuel tank filling system (from external fuel tank)	on request
	313	Three-way cocks for connection to external fuel tank, with quick couplings	555
	214	Automatic engine oil level maintainer (Murphy LM500-TF)	on request
	315a	Battery charger DSE9150 12V 3A (including 230V male socket in control panel)	250
	315b	Battery charger DSE9255 24V 5A (including 230V male socket in control panel)	335
	216	Low fuel level switch	115
	317	Battery on/off switch	295
	218	Earth leakage protection, type A (30-350mA / 0-10s.)	345
	220	Electric fuel level meter (analogue instrument) with sensor	165
	221	Electric cooling water temperature meter (analogue instrument) with sensor	170
	222	Electric oil pressure meter (analogue instrument) with sensor	240
	323a	Manual switch mains/0/generator 160A 4-poles, in metal box, not assembled	850
	323c	Manual switch mains/0/generator 250A 4-poles, in metal box, not assembled	1125
	323e	Manual switch mains/0/generator 400A 4-poles, in metal box, not assembled	1350
	323g	Manual switch mains/0/generator 800A 4-poles, in metal box, not assembled	2775
	324a	External ATS-panel with motor operated 1-0-2 switch, 87kVA/125A/400V, with DSE4520 and battery charger. With earth leakage protection and thermal magnetic protection in blind panel on the generator. Without cables between ATS-panel and generator.	2395
	324b	External ATS-panel with motor operated 1-0-2 switch, 111kVA/160A/400V, with DSE4520 and battery charger. With earth leakage protection and thermal magnetic protection in blind panel on the generator. Without cables between ATS-panel and generator.	2695
	324d	External ATS-panel with motor operated 1-0-2 switch, 173kVA/250A/400V, with DSE4520 and battery charger. With earth leakage protection and thermal magnetic protection in blind panel on the generator. Without cables between ATS-panel and generator.	3070
	324e	External ATS-panel with motor operated 1-0-2 switch, 277kVA/400A/400V, with DSE4520 and battery charger. With earth leakage protection and thermal magnetic protection in blind panel on the generator. Without cables between ATS-panel and generator.	3555
	324f	External ATS-panel with motor operated 1-0-2 switch, 436kVA/630A/400V, with DSE4520 and battery charger. With earth leakage protection and thermal magnetic protection in blind panel on the generator. Without cables between ATS-panel and generator.	on request
	324g	External ATS-panel with motor operated 1-0-2 switch, 554kVA/800A/400V, with DSE4520 and battery charger. With earth leakage protection and thermal magnetic protection in blind panel on the generator. Without cables between ATS-panel and generator.	on request
	324h	External ATS-panel with motor operated 1-0-2 switch, 692kVA/1000A/400V, with DSE4520 and battery charger. With earth leakage protection and thermal magnetic protection in blind panel on the generator. Without cables between ATS-panel and generator.	on request
	325a	Remote monitoring (web-based control) by DSE890 for laptop / PC / Smart Phone / Tablet	1110
	325b	GSM/GPS 4G antenna for option 325a	215
NEW	325c	Remote monitoring by Calculus module C06w, including antenna and 2 years license	1500
	326	Parallel operation for generators, with or without mains	on request
	327	Air intake preheating 12V or 24V/3kW for Volvo engines TAD13xx/16xxGE	705
	328	Oil pan heater 230V	415
	329	Coolant heater 230V/1500W (with 12V thermostat) for generating sets with Iveco NEF N45SM1 engines	930
	330	Fuel filter heater 12V or 24V (with thermostat)	on request
	231	Exhaust flexible pipes	on request
	332a	Spark arrestors (ATEX approved or Non-ATEX approved)	on request
	332b	Chalwyn valve (air intake shut down valve)	on request
	234	Special RAL color for EP versions	345
	335	Spare parts kits	on request

Other options on request

OPTIONS FOR EPS SILENT WATER-COOLED GENERATING SETS WITH IVECO / VOLVO ENGINE			Price in EURO (ex. VAT)
Nr.	Description		
301a	Leroy Somer LSA44.3 alternator protection "system 4" for severe industrial environment, marine environment and coastal area without projections, relative humidity > 95% (for EPS100/150TDE)		480
301b	Leroy Somer LSA46.3 alternator protection "system 4" for severe industrial environment, marine environment and coastal area without projections, relative humidity > 95% (for EPS200/250/315TDE)		875
302a	Leroy Somer LSA44.3 alternator protection "system 6" for corrosive industrial environment, marine environment and coastal area with projections, relative humidity > 95% (for EPS100/150TDE)		1555
302b	Leroy Somer LSA46.3 alternator protection "system 6" for corrosive industrial environment, marine environment and coastal area with projections, relative humidity > 95% (for EPS200/250/315TDE)		2445
303	Glass fiber winding (25% derate) for LSA44.3 and LSA46.3		on request
304a	Anti-condensation resistor / space heater in LSA44.3 alternator (for EPS100/150TDE)		395
304b	Anti-condensation resistor / space heater in LSA46.3 alternator (for EPS200/250/315TDE)		410
305	60Hz version		on request
307a	Electronic speed governor "GAC" for EPS60TDE		1945
309	Remote control, wireless, up to 50m		365
310	Forklift kit (4 pockets) for EPS generating sets from 60 till 250kVA		785
311	Liquid level switch (alarm) in chassis (bund)		145
312a	Price reduction for version without fuel tank		on request
312b3	Larger fuel tanks		on request
312c	Automatic fuel tank filling system (from external fuel tank)		on request
313	Three-way cocks for connection to external fuel tank, with quick couplings		555
314	Automatic engine oil level maintainer (Murphy LM500-TF), oil tank included		1970
315a	Battery charger DSE9150 12V 3A (including 230V male socket in control panel)		250
315b	Battery charger DSE9255 24V 5A (including 230V male socket in control panel)		335
317	Battery on/off switch		295
318a	Sensitive residual current monitor: earth leakage protection, type B, Bender RCMA423-D-2 (with measuring current transformer) for 100kVA		1585
318b	Sensitive residual current monitor: earth leakage protection, type B, Bender RCMA423-D-2 (with measuring current transformer) for 250kVA		1780
318c	Sensitive residual current monitor: earth leakage protection, type B, Bender RCMA423-D-2 (with measuring current transformer) for 600kVA		2800
319a	Insulation protection Bender IR423-D43-2		470
319b	Insulation protection Bender ISORW425-D4W-4 (for sensitive equipment with frequency-controlled drives)		1415
321	Electric cooling water temperature meter (analogue instrument) with sensor		170
322	Electric oil pressure meter (analogue instrument) with sensor		240
323a	Manual switch mains/0/generator 160A 4-poles, in metal box, not assembled		850
323c	Manual switch mains/0/generator 250A 4-poles, in metal box, not assembled		1125
323e	Manual switch mains/0/generator 400A 4-poles, in metal box, not assembled		1350
323g	Manual switch mains/0/generator 800A 4-poles, in metal box, not assembled		2775
324	Automatic Start/Stop System in case of mains failure (up to EPS250TDE) integrated in generator instead of the standard control panel		on request
324a	External ATS-panel with motor operated 1-0-2 switch, 87kVA/125A/400V, with DSE4520 and battery charger. With earth leakage protection and thermal magnetic protection in blind panel on the generator. Without cables between ATS-panel and generator.		2395
324b	External ATS-panel with motor operated 1-0-2 switch, 111kVA/160A/400V, with DSE4520 and battery charger. With earth leakage protection and thermal magnetic protection in blind panel on the generator. Without cables between ATS-panel and generator.		2695
324d	External ATS-panel with motor operated 1-0-2 switch, 173kVA/250A/400V, with DSE4520 and battery charger. With earth leakage protection and thermal magnetic protection in blind panel on the generator. Without cables between ATS-panel and generator.		3070
324e	External ATS-panel with motor operated 1-0-2 switch, 277kVA/400A/400V, with DSE4520 and battery charger. With earth leakage protection and thermal magnetic protection in blind panel on the generator. Without cables between ATS-panel and generator.		3555
324f	External ATS-panel with motor operated 1-0-2 switch, 436kVA/630A/400V, with DSE4520 and battery charger. With earth leakage protection and thermal magnetic protection in blind panel on the generator. Without cables between ATS-panel and generator.		on request
324g	External ATS-panel with motor operated 1-0-2 switch, 554kVA/800A/400V, with DSE4520 and battery charger. With earth leakage protection and thermal magnetic protection in blind panel on the generator. Without cables between ATS-panel and generator.		on request
324h	External ATS-panel with motor operated 1-0-2 switch, 692kVA/1000A/400V, with DSE4520 and battery charger. With earth leakage protection and thermal magnetic protection in blind panel on the generator. Without cables between ATS-panel and generator.		on request
325a	Remote monitoring (web-based control) by DSE890 for laptop / PC / Smart Phone / Tablet		1110
325b	GSM/GPS 4G antenna for option 325a		215
NEW 325c	Remote monitoring by Calculus module C06w, including antenna and 2 years license		1500
326	Parallel operation for generators, with or without mains		on request
327	Air intake preheating 12V or 24V/3kW for Volvo engines TAD13xx/16xxGE		705
328	Oil pan heater 230V		435
329	Coolant heater 230V/1500W (with 12V thermostat) for generating sets with Iveco NEF N45SM1 engines		975
330	Fuel filter heater 12V or 24V (with thermostat)		on request
332a	Spark arrestors (ATEX approved or Non-ATEX approved)		on request
332b	Chalwyn valve (air intake shut down valve)		on request
334a	Special RAL color for EPS versions		345
334b	Extra epoxy primer coating before polyester final coating, for EPS / EPSR versions (silenced)		on request
335	Spare parts kits		on request

Other options on request

OPTIONS FOR EPSR SILENT RENTAL WATER-COOLED GENERATING SETS WITH IVECO / JOHN DEERE / VOLVO ENGINE		Price in EURO (ex. VAT)
Nr.	Description	
301a	Leroy Somer LSA44.3 alternator protection "system 4" for severe industrial environment, marine environment and coastal area without projections, relative humidity > 95% (for EPSR100/150TDE-5)	480
301b	Leroy Somer LSA46.3 alternator protection "system 4" for severe industrial environment, marine environment and coastal area without projections, relative humidity > 95% (for EPSR200/250TDE-5)	875
302a	Leroy Somer LSA44.3 alternator protection "system 6" for corrosive industrial environment, marine environment and coastal area with projections, relative humidity > 95% (for EPSR100/150TDE-5)	1555
302b	Leroy Somer LSA46.3 alternator protection "system 6" for corrosive industrial environment, marine environment and coastal area with projections, relative humidity > 95% (for EPSR200/250TDE-5)	2445
303	Glass fiber winding (25% derate) for LSA44.3 and LSA46.3	on request
304a	Anti-condensation resistor / space heater in LSA44.3 alternator (for EPSR100/150TDE-5)	395
304b	Anti-condensation resistor / space heater in LSA46.3 alternator (for EPSR200/250TDE-5)	410
305	60Hz version	on request
309	Remote control, wireless, up to 50m	365
311	Liquid level switch (alarm) in chassis (bund)	145
312a	Price reduction for version without fuel tank	on request
312b3	Larger fuel tanks	on request
312c	Automatic fuel tank filling system (from external fuel tank)	on request
313	Three-way cocks for connection to external fuel tank, with quick couplings	555
314	Automatic engine oil level maintainer (Murphy LM500-TF), oil tank included	1970
315a	Battery charger DSE9150 12V 3A (including 230V male socket in control panel)	250
315b	Battery charger DSE9255 24V 5A (including 230V male socket in control panel)	335
317	Battery on/off switch	295
318a	Sensitive residual current monitor: earth leakage protection, type B, Bender RCMA423-D-2 (with measuring current transformer) for 100kVA	1585
318b	Sensitive residual current monitor: earth leakage protection, type B, Bender RCMA423-D-2 (with measuring current transformer) for 250kVA	1780
318c	Sensitive residual current monitor: earth leakage protection, type B, Bender RCMA423-D-2 (with measuring current transformer) for 600kVA	2470
319a	Insulation protection Bender IR423-D43-2	470
319b	Insulation protection Bender ISORW425-D4W-4 (for sensitive equipment with frequency-controlled drives)	1415
321	Electric cooling water temperature meter (analogue instrument) with sensor	170
322	Electric oil pressure meter (analogue instrument) with sensor	240
323a	Manual switch mains/0/generator 160A 4-poles, in metal box, not assembled	850
323c	Manual switch mains/0/generator 250A 4-poles, in metal box, not assembled	1125
323e	Manual switch mains/0/generator 400A 4-poles, in metal box, not assembled	1350
323g	Manual switch mains/0/generator 800A 4-poles, in metal box, not assembled	2775
324	Automatic Start/Stop System in case of mains failure (up to EPSR250TDE-5) integrated in generator instead of the standard control panel	on request
424a	External ATS-panel with motor operated 1-0-2 switch, 87kVA/125A/400V, with DSE4520 and battery charger. With earth leakage protection and thermal magnetic protection in blind panel on the generator. Without cables between ATS-panel and generator.	1750
424b	External ATS-panel with motor operated 1-0-2 switch, 111kVA/160A/400V, with DSE4520 and battery charger. With earth leakage protection and thermal magnetic protection in blind panel on the generator. Without cables between ATS-panel and generator.	2025
424d	External ATS-panel with motor operated 1-0-2 switch, 173kVA/250A/400V, with DSE4520 and battery charger. With earth leakage protection and thermal magnetic protection in blind panel on the generator. Without cables between ATS-panel and generator.	2580
424e	External ATS-panel with motor operated 1-0-2 switch, 277kVA/400A/400V, with DSE4520 and battery charger. With earth leakage protection and thermal magnetic protection in blind panel on the generator. Without cables between ATS-panel and generator.	3135
325a	Remote monitoring (web-based control) by DSE890 for laptop / PC / Smart Phone / Tablet	1110
325b	GSM/GPS 4G antenna for option 425a	215
NEW 325c	Remote monitoring by Calculus module C06w, including antenna and 2 years license	1500
326	Parallel operation for generators, with or without mains	on request
328	Oil pan heater 230V	435
330	Fuel filter heater 12V or 24V (with thermostat)	on request
332a	Spark arrestors (ATEX approved or Non-ATEX approved)	on request
332b	Chalwyn valve (air intake shut down valve)	on request
434a	Special RAL color for EPSR versions	345
434b	Extra epoxy primer coating before polyester final coating, for EPS / EPSR versions (silenced)	on request
335	Spare parts kits	on request

Other options on request

e-power generating sets with asynchronous Soga or synchronous Soga/GTS alternator, protection IP54, 3000rpm, 50Hz, 4 stroke

IP54

Article code	TYPE	Price in EURO (ex. VAT)	kVA max.	kVA cont.	Amp.		Engine HONDA (EU Stage)	HP max.	kW max.	cm³	Tank (l)	Cons. @ 75% load (l/h)	Auto-nomy @ 75% load (h)	Version	Dimensions (cm)	kg	dB(A) @ 7m	LWA
		Alternator			1 ~ 230V	3 ~ 400V												
400012012	EP3000-IP54	1705 (Soga)	3	2.7	11.7	-	GX200 (V)	5.2	3.8	196	3.1	1.3	2.4	A-F-O-R-TM	65x42x48	52	70	95
400012013	EP3500-IP54	2095 (Soga)	3.5	3.2	13.9	-	GX270 (V)	7.9	5.8	270	5.3	2	2.7	A-F-O-R-TM	67x51x56	64	71	96
SA380	EP6000-IP54	3050 (So)	6	5.5	24	-	GX390 (V)	11.1	8.2	389	6.1	2.4	2.5	A-AVR-F-O-R-TM	77x51x56	93	72	97
SA448	EP8000T-IP54	3085 (So)	8	7.5	20	10.8	GX390 (V)	11.1	8.2	389	6.1	2.4	2.5	B-AVR-F-O-R-TM	77x51x56	96	72	97
SA479	EP12000TE-IP54	4800 (So)	12.5	11	17	16	GX630 (V)	19	14	688	20	4.2	4.8	B-AVR-E-F-FPM-h-O-TM	102x55x60	148	75	*

e-power 60Hz generating sets, 3600rpm

60Hz

Article code	TYPE	Price in EURO (ex. VAT)	kVA max. (60Hz)	kVA cont.	Amp.	Volt	Engine HONDA (EU Stage)	HP max.	kW max.	cm³	Tank (l)	Cons. @ 75% load (l/h)	Auto-nomy @ 75% load (h)	Version	Dimensions (cm)	kg	dB(A) @ 7m	LWA
		Alternator																
SA177	EP2700-60	890 (S)	2.7	2.4	10.4	230	GX160 (V)	4.9	3.6	163	3.1	1.2	2.6	A-F-O-R-Th	58x42x44	37	73	*
SA077	EP3700-60	1065 (S)	3.7	3.4	14.8	230	GX200 (V)	5.8	4.3	196	3.1	1.6	1.9	A-F-O-R-Th	58x42x44	42	73	*
SA267	EP4800-60	1455 (S)	4.8	4.3	19	230	GX270 (V)	8.6	6.3	270	5.3	2.4	2.2	A-F-O-R-Th	77x51x56	65	74	*
SA178	EP7200-60	1960 (S)	7.2	6.5	28	230	GX390 (V)	11.8	8.7	389	6.1	2.9	2.1	A-F-O-R-Th	83x51x56	72	78	*

Generators with * cannot be used outdoors in the EU. For applications of generating sets indoors, or if you want to integrate these generators in vehicles, please contact us.

e-power generating sets according to "BG BAU" and "DGUV - Class B", with synchronous SOGA or GTS alternator, protection IP54, with insulation protection according to "GW661", 3000rpm, 50Hz, 4 stroke

IP54

Article code	TYPE	Price in EURO (ex. VAT)	kVA max.	kVA cont.	Amp.		Engine (EU Stage)	HP max.	kW max.	cm³	Tank (l)	Cons. @75% load (l/h)	Autonomy @ 75% load (h)	Version	Dimensions (cm)	kg	dB(A) @ 7m	LWA
		Alternator			1 ~ 230V	3 ~ 400V												
950810400	EP4054	3650 (So)	4	3.6	16	-	Honda GX270 (V)	7.9	5.8	270	5.3	2	2.7	A-AVR-F-FI2-IB-LE-LH-O-R-TM	77x51x56	96	71	96
950810600	EP6054	4155 (So)	6	5.4	23	-	Honda GX390 (V)	11.1	8.2	389	6.1	2.4	2.5	A-AVR-F-FI2-IB-LE-LH-O-R-TM	77x51x56	104	72	97
950810601	EP6054E	4715 (So)	6	5.4	23	-	Honda GX390 (V)	11.1	8.2	389	6.1	2.4	2.5	A-AVR-E-F-FI2-IB-LE-LH-O-R-TM	83x51x56	108	72	97
950810802	EP8054T	4290 (So)	8	7.5	20	10.8	Honda GX390 (V)	11.1	8.2	389	6.1	2.4	2.5	B7-AVR-F-FI2-IB-LE-LH-O-R-TM	77x51x56	99	72	97
950810803	EP8054TE	4860 (So)	8	7.5	20	10.8	Honda GX390 (V)	11.1	8.2	389	6.1	2.4	2.5	B7-AVR-E-F-FI2-IB-LE-LH-O-R-TM	83x51x56	122	72	97
950810608	EP6054-25	4880 (So)	6	5.4	23	-	Honda GX390 (V)	11.1	8.2	389	25	2.4	10.4	A-AC-AVR-F-FG-FI2-h-IB-LE-LH-O-R-TM-V	80x58x63	110	71	96
950810609	EP6054E-25	5195 (So)	6	5.4	23	-	Honda GX390 (V)	11.1	8.2	389	25	2.4	10.4	A-AC-AVR-E-F-FG-FI2-h-IB-LE-LH-O-R-TM-V	80x58x63	122	71	96
950810808	EP8054T-25	5030 (So)	8	7.5	20	10.8	Honda GX390 (V)	11.1	8.2	389	25	2.4	10.4	B7-AC-AVR-F-FG-FI2-h-IB-LE-LH-O-R-TM-V	80x58x63	113	71	96
950810809	EP8054TE-25	5350 (So)	8	7.5	20	10.8	Honda GX390 (V)	11.1	8.2	389	25	2.4	10.4	B7-AC-AVR-E-F-FG-FI2-h-IB-LE-LH-O-R-TM-V	80x58x63	125	71	96
940011503	EP15054TE	on request (GTS)	15	14.4	16	21	Honda GX690 (V)	20	15	688	20	5	4	B18-AIS-AVR-E-F-FI2-FPm-h-IB-LE-LH-O-TM	102x55x60	155	75	*
940011508	EPG15054TE	on request (GTS)	15	11	16	16	Honda GX690 (V)	20	15	688	20	5	4	B18-AIS-AVR-E-F-FI2-FPm-h-IB-LE-LH-O-TM	88x64x70	199	71	96
940011513	EPS15054TE	on request (GTS)	15	12.5	32	18	Honda GX690 (V)	20	15	688	20	5	4	B6-AVR-E-EC-FI2-FPm-h-IB-LE-LH-O-TM-TP-V	138x78x67	245	69	94
947011803	EP20054TE	on request (GTS)	20	18	32	26	B&S Vanguard 543477 (V)	28	21	895	41	7	5.9	B4-AVR-E-F-FG-FI2-FPm-h-IB-LE-LH-OP-TM-V	100x64x72	235	79	*

e-power generating sets according to DIN14685 with brushless synchronous alternator, AVR, IP54, 3000rpm, 50Hz, 4 stroke

Article code	TYPE	Price in EURO (ex. VAT)	kVA max.	kVA cont.	Amp.		Engine B&S / HONDA (EU Stage)	HP max.	kW max.	cm³	Tank (l)	Cons. @75% load (l/h)	Autonomy @75% load (h)	Version	Dimensions (cm)	kg	dB(A) @ 7m	LWA
		Alternator			1 ~ 230V	3 ~ 400V												
952990502	EPDIN6500T	8910 (So)	6.5	6	26	8.7	B&S Vanguard 296442 (V)	14	10.2	480	8	2.8	2.9	BDIN1-AVR-ET-F-FG-FPm-h-LH-OP-PI-R-TB-TE-TM-V-W	70x44x58	106	74	*
952990503	EPDIN6500TE	9215 (So)	6.5	6	26	8.7	B&S Vanguard 296447 (V)	14	10.2	480	8	2.8	2.9	BDIN1-AVR-E-ET-F-FG-FPm-h-LH-OP-PI-R-TB-TE-TM-V-W	70x44x58	116	74	*
952990802	EPDIN8500T	9095 (So)	8.5	8	34	11.5	B&S Vanguard 356442 (V)	16	12	570	10	3.8	2.6	BDIN1-AVR-ET-F-FG-FPm-h-LH-OP-PI-R-TB-TE-TM-V-W	82x44x58	130	74	*
952990803	EPDIN8500TE	9445 (So)	8.5	8	34	11.5	B&S Vanguard 356447 (V)	16	12	570	10	3.8	2.6	BDIN1-AVR-E-ET-F-FG-FPm-h-LH-OP-PI-R-TB-TE-TM-V-W	82x44x58	140	74	*
950990903	EPDIN9000TE	8745 (So)	9	8	34	11.5	Honda GX630 (V)	19	14	688	10	3.8	2.6	BDIN1-AVR-E-ET-F-FG-FPm-h-LH-O-PI-TB-TE-TM-V-W	82x44x58	141	74	*
952991303	EPDIN13000TE	10205 (So)	12.5	12	48	17	B&S Vanguard 386447 (V)	20	15	627	10	4.5	2.2	BDIN1-AVR-E-ET-F-FG-FPm-h-LH-OP-PI-R-TB-TE-TM-V-W	82x44x58	150	74	*
950991303	EPDIN13500TE	9110 (So)	13.5	12	48	17	Honda GX630 (V)	19	14	688	10	4.5	2.2	BDIN1-AVR-E-ET-F-FG-FPm-h-LH-O-PI-TB-TE-TM-V-W	82x44x58	150	74	*
940991603	EPDIN16000TE	on request (GTS)	16	14.5	48	21	Honda GX690 (V)	20	15	688	10	5	2	BDIN2-AVR-E-ET-F-FG-FPm-h-LH-O-PI-TB-TE-TM-V-W	82x44x58	162	74	*

Generators with * are not compliant with DIN14685-1 and cannot be used outdoors in the EU. For applications of generating sets indoors, or if you want to integrate these generators in vehicles, please contact us.

OPTIONS for e-power DIN14685 / DIN14685-1 generating sets			Price in EURO (ex. VAT)
Nr.	Description		
DIN0	RECOIL STARTER FOR GX630-GX690		445
DIN1	EARTH LEAKAGE PROTECTION 3 x 400 V (30 mA) (only possible with thermal magnetic breakers with C-characteristic)		320
DIN2	EARTH PIN WITH 4 METER EARTH-CABLE 16 mm²		65
DIN3A	INSULATION PROTECTION "IB-Protector" 400 V with power relay		570
DIN3B	INSULATION PROTECTION "IB-Protector" 400 V without power relay		375
DIN3C	INSULATION PROTECTION BENDER (IR423-D43-2) 400 V with optical and acoustical warning, with power relay (required to comply with DIN14685-1)		1140
DIN4	EMERGENCY STOP		42
DIN5	ELECTRIC CHOKE (only for GX630/GX690)		370
DIN6	12 V DC BATTERY CHARGE CONNECTOR		145
DIN7	12 V DC EXTERNAL BATTERY CONNECTOR		230
DIN8	PHASE SEQUENCE SWITCH		155
DIN9	EXTRA SOCKET 5P 400V (without separate thermal magnetic protection)		165
DIN10	3-WAY FUEL COCK WITH QUICK COUPLINGS FOR CONNECTION TO EXTERNAL TANK (required to comply with DIN14685-1)		215
DIN11	KIT JERRYCAN 20 L with jerrycan cap and fuel hose (without quick couplings)		125
DIN12	FLEXIBLE EXHAUST TUBE 1,5m following DIN14572 - 50x1500 (adapter for muffler included)		320
DIN13	PROTECTION COVER (RED or YELLOW)		370
DIN14	SPECIAL RAL COLOR FOR EPDIN VERSIONS (standard colours are: yellow and red, stock colour is yellow)		345

1. Three-phase synchronous brushes alternators - 2 poles - 3000rpm - cosφ 0.8

Three-Phase	50Hz	Sincro alternator	Tractor HP on PTO *	Power Take Off	Weight	Control panel	Price in EURO (ex. VAT)
TYPE	kVA		HP max.	rpm	kg		
AWT2-13	13,5	FT2MES	42	430	116	AT01	2490
AWT2-16	16	FT2MFS	49	430	125	AT01	2595
AWT2-24	24	FT2LC	69	430	144	AT04	3065
AWT2-27	27	GT2MB	83	430	149	AT03	3385
AWT2-31	31,5	GS2LA	95	430	189	AT03	4165
AWT2-38	38	GS2LB	112	430	205	AT03	4310

2. Three-phase synchronous brushes alternators - 4 poles - 1500rpm - cosφ 0.8

Three-Phase	50Hz	Sincro alternator	Tractor HP on PTO *	Power Take Off	Weight	Control panel	Price in EURO (ex. VAT)
TYPE	kVA		HP max.	rpm	kg		
AWT4-17	17,5	GT4MA	51	430	146	AT02	3370
AWT4-22	22	GT4MB	66	430	157	AT02	3625
AWT4-27	27	GT4LA	80	430	200	AT03	4080
AWT4-30	30	GT4LB	87	430	215	AT03	4430

3. Brushless three-phase synchronous alternators with AVR - 4 poles - 1500rpm - cosφ 0.8

Three-Phase	50Hz	Sincro alternator	Tractor HP on PTO *	Power Take Off	Weight	Control panel	Price in EURO (ex. VAT)
TYPE	kVA		HP max.	rpm	kg		
AWB4-17	17,5	HB4SB	54	430	177	AT05	4005
AWB4-22	22	HB4CA	68	430	190	AT05	4170
AWB4-25	25	IB4SA	77	430	205	AT06	4380
AWB4-30	30	IB4SB	92	430	228	AT06	4655
AWB4-45	45	IB4MB	124	430	258	AT06	5550
AWB4-50	50	IB4LA	144	430	298	AT07	6520
AWB4-65	65	SK225SM	202	400	335	AT08	7885
AWB4-80	80	SK225MS	247	400	362	AT08	8795
AWB4-100	100	SK225MN	297	400	405	AT08	9100
AWB4-125	125	SK225LS	367	1000	598	AT10	19520
AWB4-140	140	SK225LM	411	1000	636	AT10	19955

* min. suggested tractor HP on PTO, for 50Hz and at specified PTO rpm.

	Price in EURO (ex. VAT)
Options	
Over and under voltage protection mounted on the PTO as from 27kVA	390
60Hz/3600rpm/1800rpm instead of 50Hz/3000rpm/1500rpm	on request
Special control panels on demand	on request

Control panel	
TYPE	
AT01	1 CEE socket 230V - 16A - 3 poles + 1 CEE socket 400V - 32A - 5 poles + earth leakage breaker (30mA) and 4 poles thermal magnetic breaker + single phase thermal protection + voltmeter + frequency meter
AT02	1 CEE socket 230V - 16A - 3 poles + 1 CEE socket 400V - 32A - 5 poles + earth leakage breaker (30mA) and 4 poles thermal magnetic breaker and 2 poles thermal magnetic breaker + V/A/Hz-meter + h-counter
AT03	1 CEE socket 230V - 16A - 3 poles + 1 CEE socket 400V - 63A - 5 poles + earth leakage breaker (30mA) and 4 poles thermal magnetic breaker and 2 poles thermal magnetic breaker + V/A/Hz-meter + h-counter
AT04	1 schuko socket 230V - 16A + 1 CEE socket 230V - 16A - 3 poles + 1 CEE socket 400V - 32A - 5 poles + earth leakage breaker (30mA) and 4 poles thermal magnetic breaker + 2 single phase thermal protections + V/A/Hz-meter + h-counter
AT05	1 schuko socket 230V - 16A with thermal protection + 1 CEE socket 230V - 32A - 3 poles + 1 CEE socket 400V - 32A - 5 poles + earth leakage breaker (30mA) and 4 poles and 2 poles thermal magnetic breaker + V/A/Hz-meter + h-counter
AT06	1 schuko socket 230V - 16A + 1 CEE socket 230V - 32A - 3 poles + 1 CEE socket 400V - 63A - 5 poles + earth leakage breaker (30mA) and 4 poles and 2 poles thermal magnetic breaker + single phase therm. prot. + V/A/Hz-meter + h-counter
AT07	1 schuko socket 230V - 16A + 1 CEE socket 230V - 32A - 3 poles + 1 CEE socket 400V - 125A - 5 poles + earth leakage breaker (30mA) and 4 poles and 2 poles thermal magnetic breaker + single phase therm. prot. + V/A/Hz-meter + h-counter
AT08	
AT10	5 powerlock connectors (480A) + 3 schuko socket 230V - 16A + 1 CEE socket 230V - 32A - 3 poles + 1 CEE socket 400V - 125A - 5 poles + 1 CEE socket 400V - 63A - 5 poles + 1 CEE socket 400V - 32A - 5 poles + 1 CEE socket 400V - 16A - 5 poles + earth leakage breaker (30mA) and 4 poles and 2 poles thermal magnetic breaker + single phase therm. prot. + V/A/Hz-meter + h-counter + over/under voltage protection + over/under frequency protection



Special control panels



P.T.O. three-phase tractor alternators IP44

IP 44

1. Three-phase synchronous brushes alternators - 2 poles - 3000rpm - cosφ 0.8

Three-Phase	50Hz	Sincro alternator	Tractor HP on PTO *	Power Take Off	Weight	Control panel	Price in EURO (ex. VAT)
TYPE	kVA		HP max.	rpm	kg		
AWT2-12X	12,1	FT2MES	24	430	117	AT01	on request
AWT2-14X	14,4	FT2MFS	28	430	126	AT01	on request
AWT2-19X	19,8	GT2MA	40	430	147	AT02	on request
AWT2-24X	24,3	GT2MB	48	430	152	AT02	on request
AWT2-28X	28,3	GS2LA	55	430	192	AT03	on request
AWT2-34X	34,2	GS2LB	65	430	208	AT03	on request

2. Three-phase synchronous brushes alternators - 4 poles - 1500rpm - cosφ 0.8

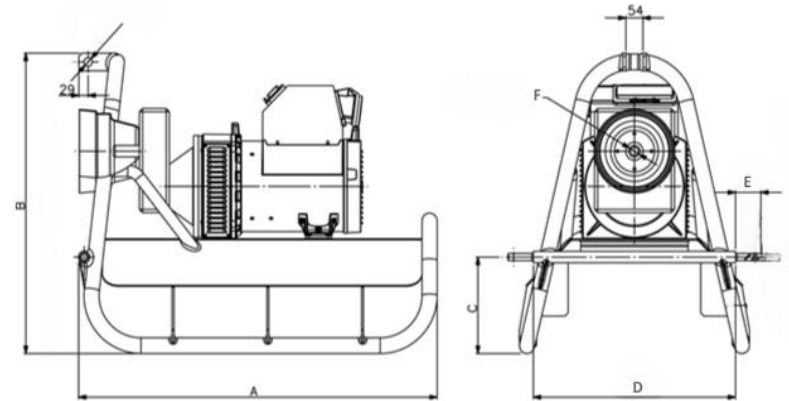
Three-Phase	50Hz	Sincro alternator	Tractor HP on PTO *	Power Take Off	Weight	Control panel	Price in EURO (ex. VAT)
TYPE	kVA		HP max.	rpm	kg		
AWT4-15X	15,7	GT4MA	31	430	149	AT02	on request
AWT4-19X	19,2	GT4MB	39	430	160	AT02	on request
AWT4-24X	24,3	GT4LA	46	430	203	AT02	on request
AWT4-27X	27	GT4LB	50	430	218	AT03	on request

3. Brushless three-phase synchronous alternators with AVR - 4 poles - 1500rpm - cosφ 0.8

Three-Phase	50Hz	Sincro alternator	Tractor HP on PTO *	Power Take Off	Weight	Control panel	Price in EURO (ex. VAT)
TYPE	kVA		HP max.	rpm	kg		
AWB4-15X	15,8	HB4SB	48	430	180	AT05	4250
AWB4-19X	19,8	HB4CA	60	430	192	AT05	4430
AWB4-22X	22,5	IB4SA	68	430	208	AT06	4520
AWB4-27X	27	IB4SB	81	430	230	AT06	4780
AWB4-40X	40,5	IB4MB	111	430	261	AT06	5585
AWB4-45X	45,5	IB4LA	128	430	301	AT06	6400
AWB4-58X	58,5	SK225SM	180	400	339	AT08	8250
AWB4-72X	72,5	SK225MS	220	400	366	AT08	9040
AWB4-90X	90	SK225MN	266	400	409	AT08	9445
AWB4-115X	112	SK225LS	329	1000	602	AT10	19740
AWB4-130X	126	SK225LM	370	1000	640	AT10	20170

* min. suggested tractor HP on PTO, for 50Hz and at specified PTO rpm.

Options	Price in EURO (ex. VAT)
Over and under voltage protection mounted on the PTO as from 27kVA	390
60Hz/3600rpm/1800rpm instead of 50Hz/3000rpm/1500rpm	on request
Special control panels on demand	on request



TYPE	A (mm)	B (mm)	C (mm)	D (mm)	E (mm)	F (mm)
AWT2-13/16/24/27 + AWT4-17/22	955	915	278	683	75	1" 3/8 z6
AWT2-31/38 + AWT4-27/30 + AWB4-17 to 50 + AWB4-15X to 45X	1160	915	278	683	75	1" 3/8 z6
AWB4-65/80/58X/72X	1210	923	278	825	75	1" 3/8 z6
AWB4-115/130X	1330	965	278	965	80	1" 3/4 z20



Bunded Diesel Fuel Tanks - IBCs, with VlareM/KIWA/UN/ADR/RID/IMDG approval



Content IBC (Liter)	Dimensions l x w x h (mm)	Price in EURO (ex. VAT)							
		A Standard painted		B Generator painted		Surcharge galvanised			
500	1205x1192x1054		on request		on request				on request
700	1440x1192x1054		on request		on request				on request
995	1560x1192x1260		on request		on request				on request
1150	1736x1192x1260		on request		on request				on request
1600	2276x1192x1260		on request		on request				on request
2200	2306x1192x1510		on request		on request				on request
3000HC	2306x1192x1810		on request		on request				on request
3000CL	2306x1512x1510		on request		on request				on request

Energy Tender+ -version is standard with filling opening 2 ½", level indication tube 1 ½", suction pipe 1", spare socket 2", ventilation with leakage security, probe in 1" socket, stackable (filled), 4 lifting points, forklift pockets on 4 sides
 Energy Tender+ Generator -version is Energy Tender+ -version, including content meter and 2 x ½" generator connection (suction + return), both with ball valve

General technical specifications:

Complies with VlareM 2 and international traffic norms VLG/ADR. Delivered with VlareM prototype approval (by AIB-Vinçotte), UN approval and logbook. All IBCs come with pump storage room (30cm), with overturn safety and with overflow-protection. Material thickness 3mm. Removable inner tank.

Pumps for IBCs (except for HC models)

Manual diesel pumps

Manual pump K3, 60 Liter/min.

Electrical diesel pumps

- 12V, 85 Liter/min.
- 24V, 85 Liter/min.
- Duo 12V-30 Liter/min. and 24V-50 Liter/min.
- 230V 55 Liter/min.
- 230V 72 Liter/min.
- 230V 100 Liter/min.

Double diesel pumps

- K3 + 12V-85 Liter/min.
- K3 + 24V-85 Liter/min.
- K3 + Duo 12/24V-30/50 Liter/min.
- K3 + 230V-55 Liter/min.

Accessories

- K33 mechanical counter (3 digits)
- K24 diesel digital counter (4 digits)
- Metal grid on floor of pump storage room
- Integrated stainless steel AdBlue tank 60 Liter, for Energy Tender+ 995
- Integrated stainless steel AdBlue tank 200 Liter, for Energy Tender+ 1150 to 1600
- Integrated stainless steel AdBlue tank 260 Liter, for Energy Tender+ 2200 to 3000 / 3000CL
- Integrated stainless steel AdBlue tank 370 Liter, for Energy Tender+ 3000HC
- Electrical pump AdBlue 12V, 30 Liter/min.
- Electrical pump AdBlue 24V, 30 Liter/min.
- Electrical pump AdBlue 230V, 30 Liter/min.
- K24 AdBlue digital counter (4 digits)

All diesel pumps are with 5m fuel hose 1" and automatic nozzle, with fuel filter.

All AdBlue pumps are with 4m hose and manual nozzle.

Price in EURO (ex. VAT)	
	on request
	on request
	on request
	on request
	on request
	on request
	on request
	on request
	on request
	on request
	on request
	on request
	on request
	on request
	on request
	on request
	on request
	on request



Legend



Sockets

- A** 2 sockets 230V - 16A
- A0** 1 socket 230V - 16A
- A1** 1 socket 230V - 16A + 2 sockets CEE 230V - 16A
- A2** 1 socket 230V - 16A + 1 socket CEE 230V - 32A
- A3** 1 socket 230V - 16A + 1 socket CEE 230V - 16A + 1 socket CEE 230V - 32A
- A4** 1 socket 230V - 16A + 2 sockets CEE 230V - 32A
- A5** 1 socket 230V - 16A + 1 socket CEE 230V - 63A
- A6** 1 socket 230V - 16A + 1 socket CEE 230V - 16A + 1 socket CEE 230V - 32A + 1 socket CEE 230V - 63A
- A7** 2 sockets 230V - 16A + 1 socket CEE 230V - 32A
- A8** 2 sockets 230V - 16A + 1 socket CEE 230V - 16A + 1 socket CEE 230V - 32A
- A9** 2 sockets 230V - 16A + 1 socket CEE 230V - 16A
- A10** 2 socket 230V - 16A + 1 socket CEE 230V - 16A + 2 socket CEE 230V - 32A + 1 socket CEE 230V - 63A
- A11** 1 socket 230V - 16A + 1 socket CEE 230V - 16A
- B** 1 socket 230V - 16A + 1 socket CEE 400V - 16A 5 p.
- B3** 1 socket 230V - 16A + 1 socket CEE 230V - 16A + 1 socket CEE 400V - 16A 5 p.
- B4** 1 socket 230V - 16A + 1 socket CEE 230V - 32A + 1 socket CEE 400V - 32A 5 p.
- B5** 2 sockets 230V - 16A + 1 socket CEE 230V - 16A + 1 socket CEE 230V - 32A + 1 socket CEE 400V - 16A 5 p. + 1 socket CEE 400V - 32A 5 p.
- B6** 1 socket 230V - 16A + 1 socket CEE 230V - 32A + 1 socket CEE 400V - 16A 5 p.
- B7** 2 sockets 230V - 16A + 1 socket CEE 400V - 16A 5 p.
- B8** 1 socket 230V - 16A + 1 socket CEE 230V - 32A + 2 sockets CEE 400V - (32A 5 p. + 125A 5 p.)
- B9** 2 sockets 230V - 16A + 1 socket CEE 230V - 16A + 1 socket CEE 400V - 16A 5 p.
- B10** 1 socket 230V - 16A + 2 sockets CEE 230V - 16A + 1 socket CEE 400V - 16A 5 p.
- B11** 2 sockets 230V - 16A + 1 socket CEE 230V - 16A + 1 socket CEE 230V - 32A + 1 socket CEE 400V - 16A 5 p.
- B12** 1 socket CEE 230V - 63A + 1 socket CEE 400V - 63A 5 p.
- B13** 1 socket 230V - 16A + 1 socket CEE 230V - 63A + 1 socket CEE 400V - 63A 5 p.
- B14** 2 sockets 230V - 16A + 1 socket CEE 230V - 16A + 1 socket CEE 230V - 32A + 1 socket CEE 400V - 32A 5 p. + 1 socket CEE 400V - 63A 5 p.
- B15** 1 socket 230V - 16A + 1 x CEE 230V - 16A + 1 x CEE 230V - 32A + 1 x CEE 400V - 16A 5 p. + 1 x CEE 400V - 32A 5 p. + 1 x CEE 400V - 63A 5 p. + 1 x CEE 400V - 125A 5 p.

- B16** 1 socket 230V - 16A + 1 x CEE 230V - 16A + 1 x CEE 230V - 32A + 1 x CEE 230V - 63A + 1 x CEE 400V - 16A 5 p. + 1 x CEE 400V - 32A 5 p. + 1 x CEE 400V - 63A 5 p. + 1 x CEE 400V - 125A 5 p.
- B17** 1 socket CEE 230V - 16A + 1 socket CEE 400V - 16A 5 p.
- B18** 3 sockets 230V - 16A + 1 socket CEE 400V - 16A 5 p.
- B19** 1 socket 230V - 16A + 1 socket CEE 400V - 32A 5 p.
- B20** 2 sockets 230V - 16A + 1 socket CEE 400V - 16A 5 p. + 1 socket CEE 400V - 32A 5 p.
- BDIN1** 1 socket CEE 400V - 16A 5 p. IP67 + 3 Schuko sockets (DIN49442) 230V - 16A 3 p. IP68
- BDIN2** 1 socket CEE 400V - 32A 5 p. IP67 + 3 Schuko sockets (DIN49442) 230V - 16A 3 p. IP68

Version

- AC** Automatic choke (for temperatures > 0°C)
- AIS** ECO-Throttle (Automatic Idle System)
- Amp1** 1 Amperemeter
- Amp3** 3 Amperemeters
- AREP** Alternator Regulation Excitation Polymorphic
- AVR** Automatic voltage regulator
- BFT** Bunded fuel tank
- CAL** Calculus module C06w, including 2 years license
- CLS** Low coolant level switch
- DC12** 12V DC Battery Charger
- DC24** 24V DC Battery Charger
- DH** Document holder
- DSE** Deep Sea Electronics module DSE4520 up to 275kVA and DSE7420 as of 300kVA
- E** Electric start, maintenance free battery included
- EnB** Electric start, battery not included
- EC** Electric choke
- Erpm** Electronic speed governor
- ES** Emergency stop
- ET** Earth tester with pilot lamp
- F** Frame
- FG** Mechanical fuel level meter
- FH** Integrated forklift holes
- FI** Earth leakage protection 30mA
- FI2** Earth leakage protection 30mA without earth pin
- FI4** Earth leakage protection 30mA with earth pin and 4m earth cable
- FIA** Earth leakage protection 30mA-30A, adjustable, with earth pin and 4m earth-cable
- FLM** Fuel level meter
- FP** Fuel pump 12V

- FPM** Membrane fuel pump
- FFPM** Manual fuel feed pump
- GALV** Galvanised chassis with forklift holes and 20 mm bumper
- h** Hour counter
- Hz** Frequency meter
- IB** Insulation protection
- LE** Central lifting eye
- LE2** 2 Lifting eyes
- LFLS** Low fuel level switch
- LFLS2** Double low fuel level switch (alarm + shut down)
- LH** 4 Lifting handles
- LS2** Leroy Somer alternator System 2 for tropical environment
- M** Muffler (not mounted on the engine) + flange (supplied loose)
- MS** Magneto-Stop
- O** Oil guard
- ODP** Oil drain pump
- OL** Low oil pressure control lamp
- OP** Low oil pressure guard
- P** Portable
- PAI** Preheating air intake
- PC** 5 Powersafe power connectors
- PI** Illuminated control panel
- R** Recoil starter
- RS** Wireless remote start
- T+** Mecc Alte alternator Total+ for tropical environment
- TB** Tool box with spare parts
- TC** Terminal power connection
- TE** Securing eyes for transportation
- Th** Circuit breaker
- TM** Thermal magnetic breaker
- TM1** Thermal magnetic breaker, with tripping coil (not connected)
- TM2** Thermal magnetic breaker with tripping coil and with individual thermal magnetic breakers on each socket
- TP** High temperature security
- USB2** Dual USB-A connector
- V** Voltmeter
- VF** Viscous fan clutch
- VS** Voltmeter selector switch
- W** Power meter with maximum indication
- WS** Water separator
- WSFP** Water separator / Fuel prefilter
- Y** E+FP+h+MS+OP+TM+TP+V
- Z** AMP+AVR+BFT+ES+FH+FLM+Hz+IB+LE+LFLS+PI